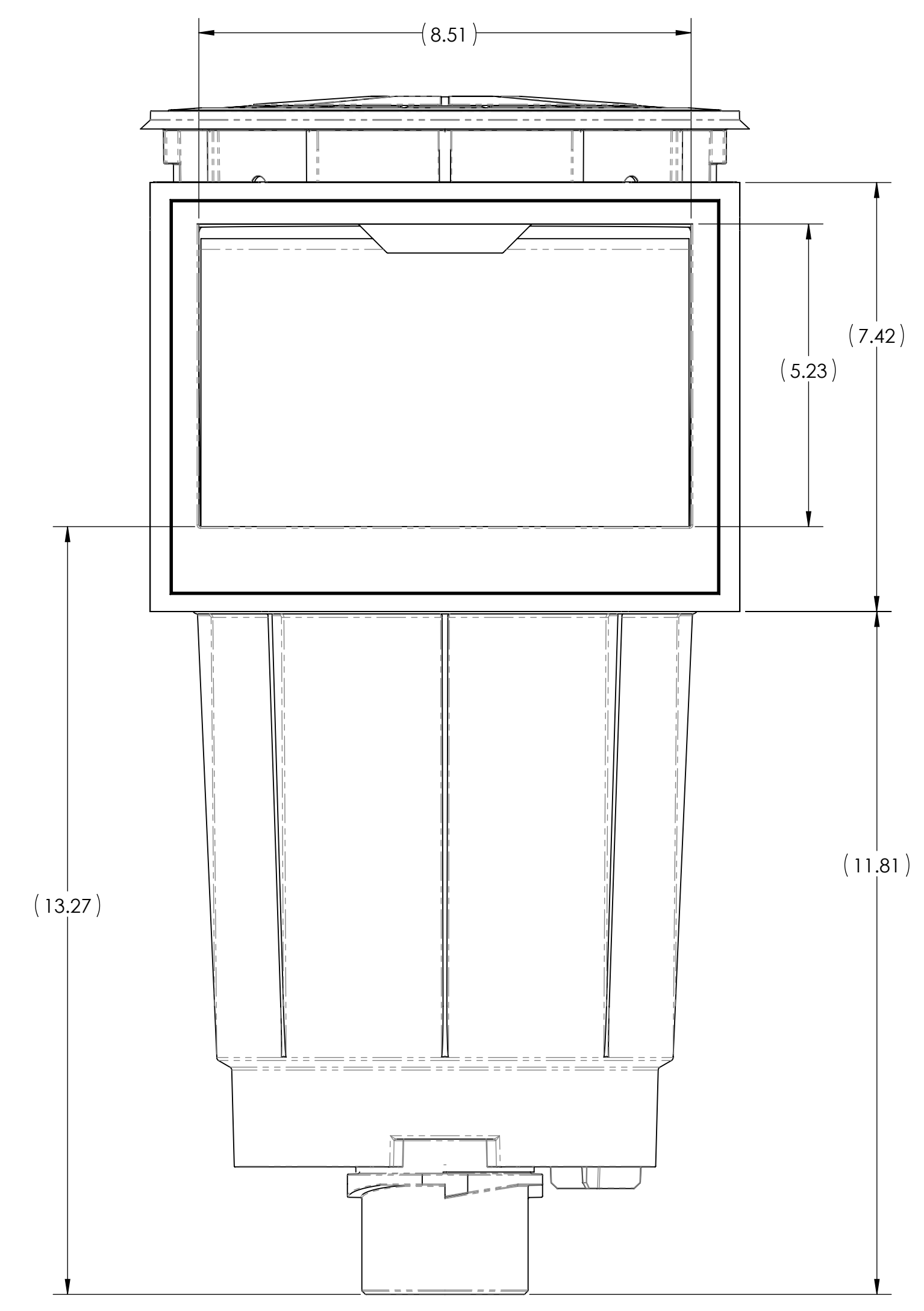
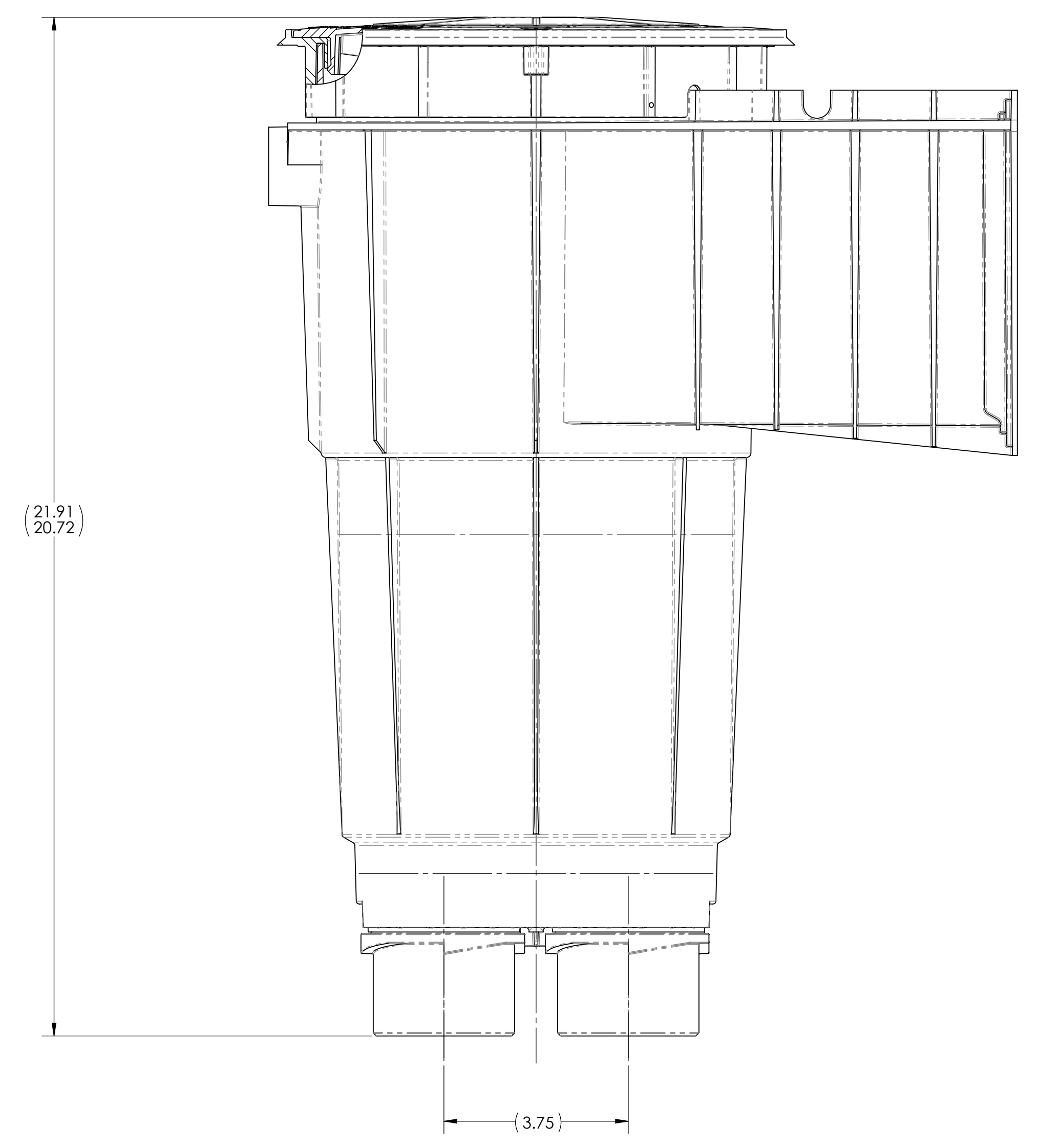
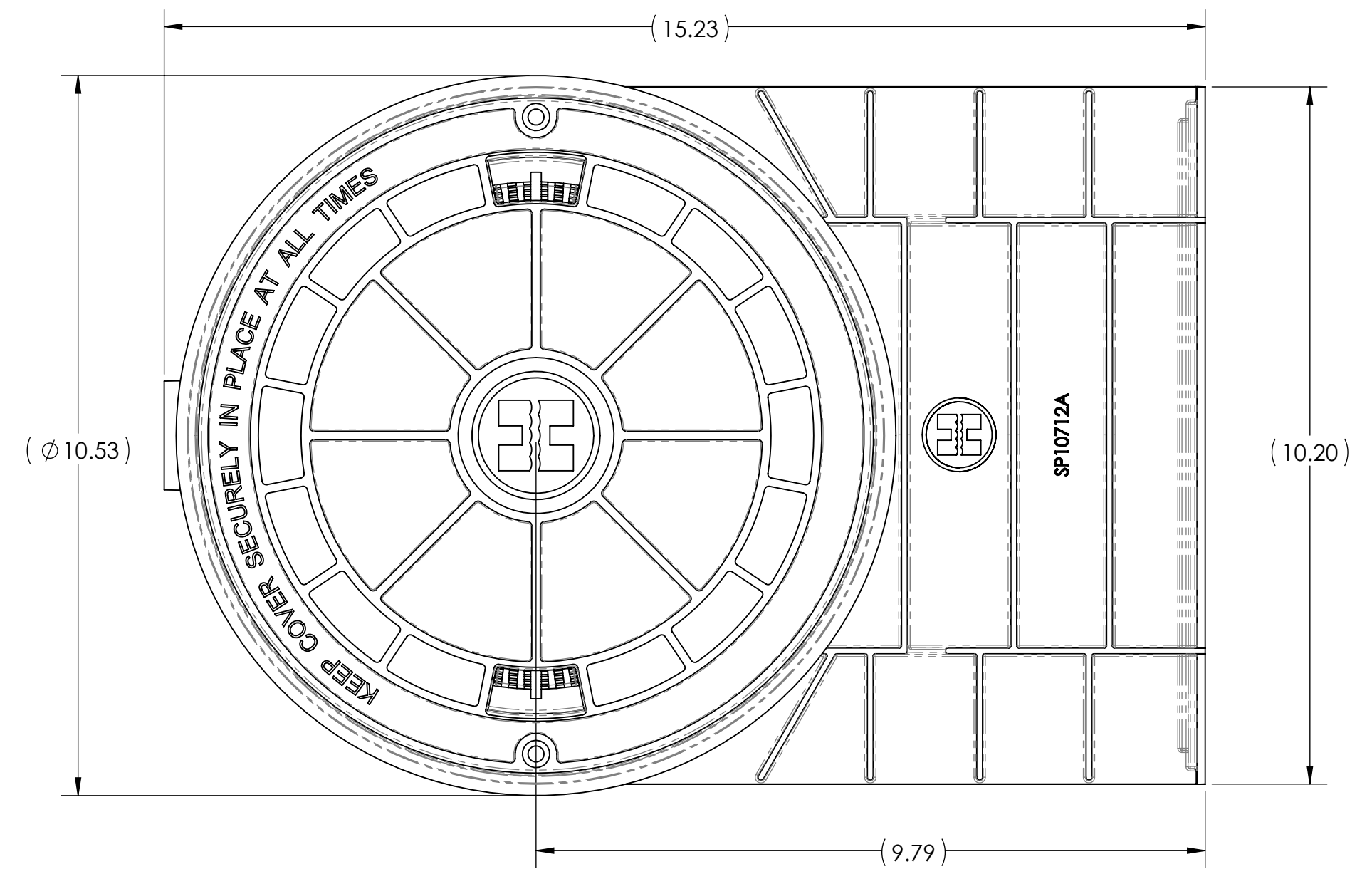


REV.		REVISIONS				
REV.	DESCRIPTION	DATE	FAI / NCMR	PCD / PLM	BY	APPD
-	See Sheet1	-	-	-	-	-



UNLESS OTHERWISE SPECIFIED: DIMENSIONS ARE IN INCHES (METRIC) TOLERANCES: X.XX = ±.02 XXX = ±.03 ANGLES = ±1°		MODIFIED	glofiag	10/27/2019
DRAWN		glofiag	7/14/2017	
CHECKED				
ENG APPR				
MFG APPR				
Q.A.				

MATERIAL: **SEE PART DRAWINGS**
 WEIGHT: **33.76 LBS.**
 COLOR: **SEE PART DRAWINGS**

HAYWARD
 DESCRIPTION: **SKIM MASTER-2"X2.5" WH**
 SIZE: **D** DWG. NO.: **SP1072S2-TAB** REV: **C**
 SCALE: 1:2 STATUS: **Released**

UNAUTHORIZED USE, MANUFACTURE, OR REPRODUCTION IN WHOLE OR IN PART IS PROHIBITED. DRAWING, DESIGN, AND OTHER DISCLOSURES ARE PROPERTY OF HAYWARD POOL PRODUCTS.