



RESIDENTIAL
**PRODUCT
CATALOG**
2021



Pool **Better**[™]

COMMERCIAL CATALOG STARTS ON PAGE 135

CUSTOMER SERVICE

PRODUCT	PHONE NUMBER	EMAIL
CUSTOM RAILS	877-325-0768	customrails@srsmith.com
LANDSCAPE SLIDES	800-824-4387	byosquote@srsmith.com
LIGHTING	800-824-4387 East x4012 West x2282	lighting@srsmith.com
RESIDENTIAL DECK EQUIPMENT	800-824-4387	customercare@srsmith.com
WARRANTY	800-824-4387	customercare@srsmith.com



Sign up for catalog updates at
srsmith.com/catalogupdates



Pool **Better**™

When people want more from their pools, they choose S.R.Smith. For nearly 90 years, S.R.Smith has continued to evolve, innovate, and expand its pool-enhancing capabilities. Today we offer a broad range of solutions for pool owners and operators worldwide that promote fun, empower relaxation, elevate usability, and boost functionality. This is why our products are the first choice for enhancing pool lifestyles and why with a S.R.Smith product on your pool you will Pool **Better**™.



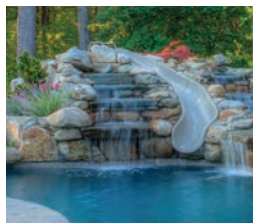
In-Pool Furniture



Diving Boards



Modern Rails



Custom Pool Slides



Pool Games



Pool Lighting



CONTENTS

Diving Boards and Stands	2
Removable Pool Slide	38
Deck Mounted Pool Slides	40
Custom Pool Slides.....	56
In-Pool Furniture	64
Games	72
Ladders and Rails.....	78
Pool Lighting	100
Water Features.....	114
Parts	118

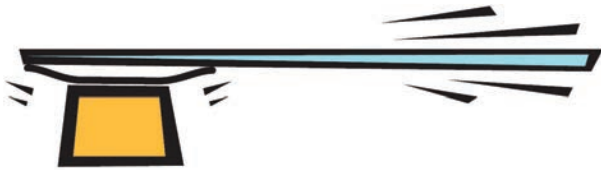


Boards + Stands

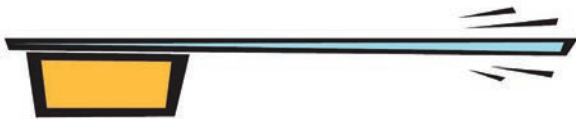
85+ Years of Diving Experience

Quality, safety and selection are the hallmarks of S.R.Smith residential and commercial diving boards and stands. Available in a wide range of shapes, styles, color, our boards and stands are designed with varying degrees of flex and spring. Rigid stands or those that have a spring mechanism can be paired with a variety of boards with varying flex to create unique performance characteristics. Diving board and stand combinations are defined in two ways, according to their level of flex:

Jump Boards – a flexible board on a base that utilizes a spring mechanism.



Diving Boards – a flexible board on a rigid base.



Dive Safely

The combination of board and stand is limited by the size of the pool's diving envelope (pool depth, shape, slope). Residential pools are defined as Type 0 through Type V, as outlined by ANSI/APSP/ICC-5 standards for residential in-ground swimming pools. Public pools are identified as Type VI through IX as outlined by ANSI/NSPI-5-2011 standards for public swimming pools. You can learn more about how to type your pool through our online Certified Professional Installer Course at srsmithcpi.com.

In addition, we have tools that can be ordered to help in measuring and typing your pool. See what we have available at srsmith.com/pooltools.



S.R.Smith is a proud founding member of the Diving Board Safety Network.

DivingBoardSafety.net

New or Replacement?

While all of our diving boards can be installed on new pool decks, providing they meet safety standards, we also have replacement diving board options. A wide variety of our stands utilize the same jig, so upgrading your stand is simple. Refer to our jig identification guide on page 63. If a new jig is required for the new stand, you can drill holes in the deck and secure a new jig with one of our epoxy kits.

Salt Pool Friendly

All S.R.Smith diving boards are salt pool friendly. Select stands also perform well in salt pool environments.



TrueTread® Diving Board Series

We've reinvented the diving board category with a unique, patent pending design: the TrueTread® Diving Board. These stylish diving boards make an old favorite new again with a modern sporty look and feel.

Boards

RESIDENTIAL



TrueTread®

This patent pending diving board features a durable, marine-grade composite surface. Available in blue, red, gray and tan.



Fibre-Dive Board

Fiberglass reinforced core, acrylic shell with flexible outer edge, matte backside, non-slip sanded tread



Frontier II Board

Fiberglass reinforced core, acrylic shell with flexible outer edge, matte backside, non-slip sanded tread



Frontier III Board

Fiberglass reinforced core, acrylic shell with flexible outer edge, matte backside, non-slip sanded tread



Frontier IV Board*

Fiberglass reinforced core, acrylic shell with flexible outer edge, matte backside, non-slip sanded tread



Glas-Hide

Fiberglass wrapped core with flow-coat, smooth backside non-slip sand tread

* Frontier IV boards require a special stand, see page 42

SPECIALTY JUMP SYSTEMS



T7 Jump Board

Manufactured from composite materials and the only 7' board on the market. Available in unique colors and visual textures to match with Destination Series In-Pool Furniture and Custom Slides.



Edge Jump Board

Manufactured out of composite materials with a wood core to resist rust. Designed for new construction projects or retrofit applications.

RESIDENTIAL	Bolt Pattern	Available Lengths	Weight Limit
TrueTread®	2-hole, 12" O.C.	6', 8'	250 lbs
Fibre-Dive	2-hole, 12" O.C.	6', 8' & 10'	250 lbs
Frontier II	3-hole (see page 61)	6' & 8'	250 lbs
Frontier III	2-hole, 12" O.C.	6', 8' & 10'	250 lbs
Frontier IV	2-hole, 11" O.C.	8'	400 lbs
Glas-Hide	2-hole, 12" O.C.	6', 8' & 10'	250 lbs
T7	2-hole, 12" O.C.	7'	300 lbs
Edge	2-hole, 12" O.C.	6' & 8'	300 lbs

Stands

RESIDENTIAL

JUMP BOARD SYSTEMS:

a flexible board on a base that utilizes a spring mechanism

DIVING BOARD SYSTEMS:

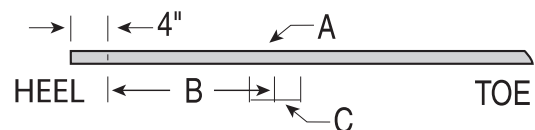
a flexible board on a rigid base

BOARD & STAND SELECTOR					
	STANDS	TYPE	SALT FRIENDLY	JUMP BOARD	DIVING BOARD
				COMPATIBLE BOARDS & PERFORMANCE CATEGORY	
MOST FLEXIBLE	Cantilever	Jump Stand: Powder-coated Steel		TrueTread®, Frontier III, Glas-Hide,	
	Supreme	Jump Stand: Acrylic Reinforced Fiberglass		TrueTread®, Frontier III, Glas-Hide	
	Salt Pool Jump System	Jump Stand: Acrylic Reinforced Fiberglass	✓	TrueTread®, Frontier III	
	Edge Jump System	Jump Stand: Acrylic Reinforced Fiberglass	✓	Edge (optional board fall ordered separately)	
	Frontier II	Jump Stand: Powder-coated Steel		Frontier II	
LEAST FLEXIBLE	T7 Jump System	Jump Stand: Acrylic Reinforced Fiberglass		T7 (optional board fall ordered separately)	
	U-Frame	Dive Stand: Stainless Steel Tubing	✓		TrueTread®, Fibre-Dive, Frontier III, Frontier IV*
	Flyte-Deck II	Dive Stand: Acrylic Reinforced Fiberglass	✓		TrueTread®, Frontier III, Fibre-Dive

*Frontier IV boards require a special stand, see page 18 for additional information.

Fulcrum Settings for Diving Boards

A	Board	6'	8'	10'	12'	14'	16'
B	Fulcrum	30"	40"	52"	62"	74"	86"
C	Tolerance	±3"	±4"	±5"	±6"	±6"	±6"



Diving Boards must be installed with rubber fulcrum pads.* Fulcrum settings beyond the stated tolerance void the warranty. Diving boards must be installed level across fulcrum and heel supports. Rubber mounting pads (washers) must be installed. Tightening Schedule can be found in the product's instruction manual.

* Except Frontier II

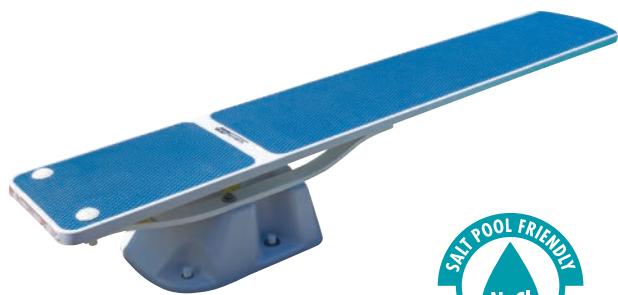


TRUETREAD®

REINVENTING THE DIVING BOARD

S.R.Smith has reinvented the diving board category with a unique, patent pending design: **the TrueTread® Diving Board Series**. These stylish diving boards make an old favorite new again with a modern, sporty look that provides an exceptional launching grip. TrueTread is a durable, marine grade composite material that stands up to salt, sun and hours of fun. Compatible with multiple S.R.Smith stands, TrueTread Diving Boards are an ideal upgrade that makes the diving board experience new again.

For more information, visit srsmith.com/truetread



TrueTread® Diving Board Series

- Ideal replacement board, provides fresh, custom look
- Available in 6' and 8' lengths
- Modern, sporty look
- Salt Pool Friendly
- Long-lasting, durable anti-slip surface
- U.S. Patent No. 10,556,141

COLOR OPTIONS



Due to printing technology actual color may differ.

All TrueTread® colors are available on white stands, with gray and tan available on complementary earth tone stand colors.

COMPATIBLE WITH:

- Cantilever
- Flyte-Deck II
- Salt Pool Jump System
- Supreme
- U-Frame

Flyte-Deck II Stand With TrueTread® Board

Part No.	Description	
SHIPPING - W/ 6FT BOARD	Box 1 - 55lbs - 80"L X 20w X 3"H Box 2 - 27lbs - 37"L X 19"W X 13"H	CLASS 70
68-207-7362B	White Stand & 6' Board w/ Blue TrueTread	
68-207-7362G	White Stand & 6' Board w/ Gray TrueTread	
68-207-7362R	White Stand & 6' Board w/ Red TrueTread	
68-207-7362T	White Stand & 6' Board w/ Tan TrueTread	
68-207-73610T	Taupe Stand & 6' Board w/ Tan TrueTread	
68-207-73620G	Gray Stand & 6' Board w/ Gray TrueTread	
SHIPPING - W/ 8FT BOARD	Box 1 - 72lbs - 105"L X 20w X 3"H Box 2 - 32lbs - 48"L X 19"W X 13"H	CLASS 70
68-207-7382B	White Stand & 8' Board w/ Blue TrueTread	
68-207-7382G	White Stand & 8' Board w/ Gray TrueTread	
68-207-7382R	White Stand & 8' Board w/ Red TrueTread	
68-207-7382T	White Stand & 8' Board w/ Tan TrueTread	
68-207-73810T	Taupe Stand & 8' Board w/ Tan TrueTread	
68-207-73820G	Gray Stand & 8' Board w/ Gray TrueTread	

Replacement Boards

Part No.	Description	
SHIPPING - 6FT BOARDS:	55lbs - 80"L x 20"W x 3"H	CLASS 70
66-209-576S2B	6' White Board w/ Blue TrueTread	
66-209-576S2G	6' White Board w/ Gray TrueTread	
66-209-576S2R	6' White Board w/ Red TrueTread	
66-209-576S2T	6' White Board w/ Tan TrueTread	
66-209-576S10T	6' Taupe Board w/ Tan TrueTread	
66-209-576S20G	6' Gray Board w/ Gray TrueTread	
SHIPPING - 8FT BOARDS:	72lbs - 105"L x 20"W x 3"H	CLASS 70
66-209-578S2B	8' White Board w/ Blue TrueTread	
66-209-578S2G	8' White Board w/ Gray TrueTread	
66-209-578S2R	8' White Board w/ Red TrueTread	
66-209-578S2T	8' White Board w/ Tan TrueTread	
66-209-578S10T	8' Taupe Board w/ Tan TrueTread	
66-209-578S20G	8' Gray Board w/ Gray TrueTread	

Salt Pool Jump System With TrueTread® Board

Part No.	Description	
SHIPPING - 6FT BOARD & STAND	BOX 1 - 26lbs - 25"L x 20"W x 11"H BOX 2 - 11lbs - 41"L x 5"W x 3"H BOX 3 - 55lbs - 80"L x 19"W x 3"H	CLASS 70
68-207-5762B	White Stand & 6' Board w/ Blue TrueTread	
68-207-5762G	White Stand & 6' Board w/ Gray TrueTread	
68-207-5762R	White Stand & 6' Board w/ Red TrueTread	
68-207-5762T	White Stand & 6' Board w/ Tan TrueTread	
68-207-57610T	Taupe Stand & 6' Board w/ Tan TrueTread	
68-207-57620G	Gray Stand & 6' Board w/ Gray TrueTread	
SHIPPING - 8FT BOARD & STAND	BOX 1 - 26lbs - 25"L x 20"W x 11"H BOX 2 - 15lbs - 49"L x 5"W x 3"H BOX 3 - 72lbs - 98"L x 20W x 3"H	CLASS 70
68-207-5782B	White Stand & 8' Board w/ Blue TrueTread	
68-207-5782G	White Stand & 8' Board w/ Gray TrueTread	
68-207-5782R	White Stand & 8' Board w/ Red TrueTread	
68-207-5782T	White Stand & 8' Board w/ Tan TrueTread	
68-207-57810T	Taupe Stand & 8' Board w/ Tan TrueTread	
68-207-57820G	Gray Stand & 8' Board w/ Gray TrueTread	

Salt Pool Jump System



Resist corrosion with this new low-profile fiberglass-backed stand and composite spring assembly designed to perform well even in harsh pool environments.

- 6' or 8' lengths
- Available in three designer colors to match your backyard décor
- Stainless steel hardware for added corrosion resistance
- Can be retrofitted onto existing 606/608 Cantilever jigs



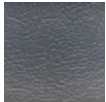
Stand & Spring Colors



WHITE



TAUPE



GRAY

Due to printing technology actual color may differ.

All installations must comply with all applicable local and national codes and installation must be completed in accordance with S.R.Smith installation instructions.

Compatible with:



TrueTread® Board



Frontier III Board

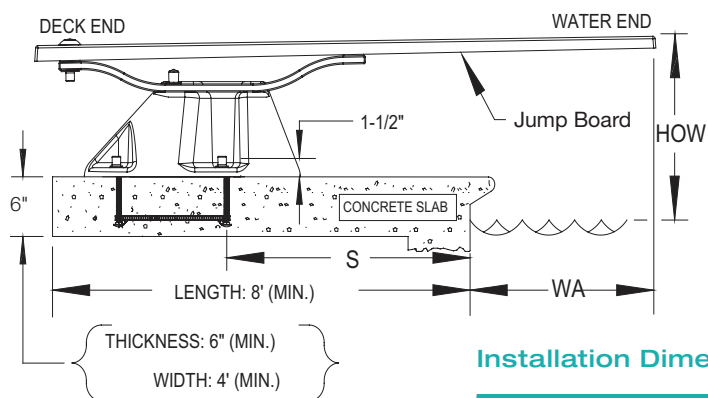
Salt Friendly Jump Stand with Frontier III Board

Part No.	Size	Color	Shipping (3 boxes, Class 70)			
			Weight	Length	Width	Height
68-211-5962	6'	White Stand and Board	27 lbs 12kg	25" 64cm	20" 51cm	11" 28cm
68-211-59610	6'	Taupe Stand and Board	10 lbs 4kg	40 102cm	5" 13cm	3" 8cm
68-211-59620	6'	Pewter Gray Stand and Board	52 lbs 24kg	74" 188cm	20" 51cm	3" 8cm
68-211-5982	8'	White Stand and Board	27 lbs 12kg	25" 64cm	20" 51cm	11" 28cm
68-211-59810	8'	Taupe Stand and Board	14 lbs 6kg	48 122cm	5" 13cm	3" 8cm
68-211-59820	8'	Pewter Gray Stand and Board	70 lbs 32kg	98" 246cm	20" 51cm	3" 8cm

Note: Salt Pool Jump System springs and bases cannot be interchanged with other S.R.Smith springs and bases

See page 26-27 for diving board part numbers.

srsmith.com

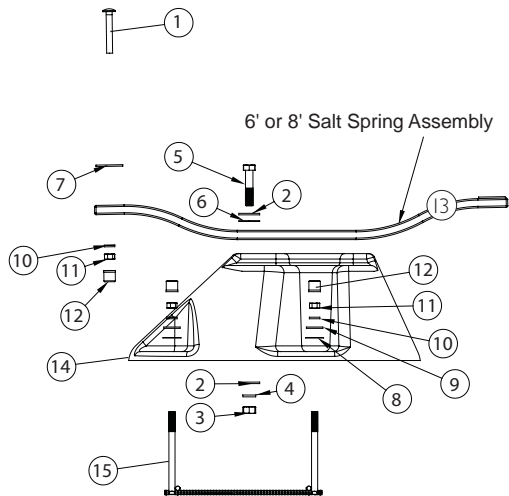


Installation Dimensions

Diving Board Size	ANSI/NSPI-5 Pool Type	Distance for setting front bolt of jig from water's edge (S)**	Minimum overhang (WA)*	Maximum height of board above water (HOW)
6'	I	32"	18"	20"
	II	32"	18"	20"
	III	26"	24"	26"
	IV	20"	30"	30"
	V	14"	36"	40"
8'	III	45"	24"	26"
	IV	39"	30"	30"
	V	33"	36"	40"

*S and WA dimensions are valid only in conjunction with minimum depth at point A

**When coping is used do not set front bolts of jig closer than 3" from the back edge of the coping



Key	Part No.	Description	Kit A	Kit B
A	69-209-125	Salt Pool Spring Bolt Kit		
B	69-209-126	Salt Pool Stand Hardware Kit (add -TP or -PG for colors)		
1	05-31-171	1/2" x 3 1/2" Carriage Bolt	•	
2	05-631	5/8" x 1 3/4" Flat Washer	•	
3	05-31-159	5/8" Hex Nut	•	
4	05-31-157	5/8" Lock Washer	•	
5	05-31-155	5/8" x 3" Hex Head Bolt	•	
6	05-31-158	5/8" x 1 3/4" Nylon Protective Washer	•	
7	8-556	2 1/4" Square Rubber Spring Pad	•	
8	05-616	1/2" x 1 1/2" Round Nylon Washer		•
9	05-14-132	1/2" x 1 3/8" Flat Washer		•
10	05-14-115	1/2" Lock Washer		•
11	05-14-116	1/2" Hex Nut		•
12	05-618 05-618-10 05-618-20	1/2" Plastic Nut Cap, White 1/2" Plastic Nut Cap, Taupe 1/2" Plastic Nut Cap, Gray		•
13	69-209-662 69-209-6610 69-209-6620 69-209-682 69-209-6810 69-209-6820	6' Salt Spring, White 6' Salt Spring, Taupe 6' Salt Spring, Pewter Gray 8' Salt Spring, White 8' Salt Spring, Taupe 8' Salt Spring, Pewter Gray		
14	69-209-62 69-209-62A 69-209-610 69-209-620	Salt Pool Jump Stand, White Salt Pool Jump Stand, White, without jig Salt Pool Jump Stand, Taupe Salt Pool Jump Stand, Pewter Gray		
15	69-209-006-SS 69-209-010-SS 69-209-011-SS	Jig w/ 6" bolts Jig w/ 9" bolts Jig w/ 10" bolts		

Flyte-Deck II Stand



The Flyte-Deck II stand's sleek appearance and sturdy construction make it one of our best selling models.

- Made of durable, scratch-resistant acrylic reinforced with fiberglass
- 6', 8' or 10' lengths – find the right size for your diving pool
- Available in a variety of colors to match your poolscapes and backyard décor!
- Stainless steel hardware for added corrosion resistance
- Board has a matching, non-slip sanded tread, white.

Board + Stand Colors



Due to printing technology actual color may differ.

Due to differences in material and textures, Gray Granite Diving Boards and Stands are not an exact color match to Gray Granite Slides. Please consult your S.R. Smith sales representative for more details.

All installations must comply with all applicable local and national codes and installation must be completed in accordance with S.R. Smith installation instructions.

Compatible with:



TrueTread® Board



Fibre-Dive Board



Frontier III Board

Flyte-Deck II Stand with Fibre-Dive Board

FOR MATCHING TREAD, ADD "T" BEHIND PART NUMBER

Part No.	Size	Color	Shipping (2 boxes, Class 70)			
			Weight	Length	Width	Height
68-209-7362	6'	White	36 lbs 16kg	74" 188cm	20" 51cm	3" 8cm
68-210-73610	6'	Taupe				
68-210-73620	6'	Gray				
68-210-73623	6'	Pebble				
68-210-73621	6'	Silver Gray				
68-210-73624	6'	Gray Granite	27 lbs 12kg	37" 94cm	18" 46cm	12" 30cm
68-209-7382	8'	White	59 lbs 27kg	98" 249cm	20" 51cm	3" 8cm
68-210-73810	8'	Taupe				
68-210-73820	8'	Pewter Gray				
68-210-73823	8'	Pebble				
68-210-73824	8'	Gray Granite				
68-209-7402	10'	White	75 lbs 34kg	122" 310cm	20" 51cm	3" 8cm
68-210-74020	10'	Pewter Gray	36 lbs 16kg	57" 145cm	19" 48cm	12" 30cm

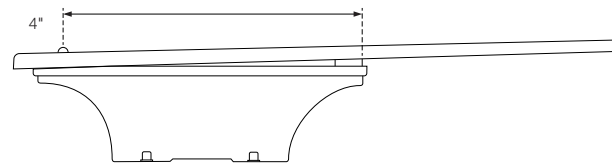
Note: Board, and stand are matching in color

Bolt Length to Fulcrum Length

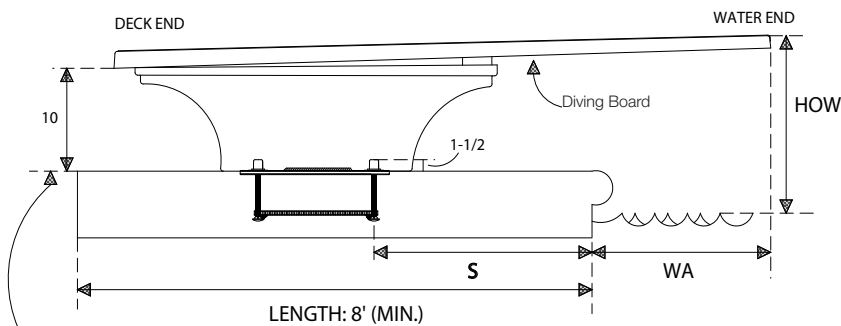
6' board = 32"

8' board = 42"

10' board = 52"



See page 26-27 for diving board part numbers.



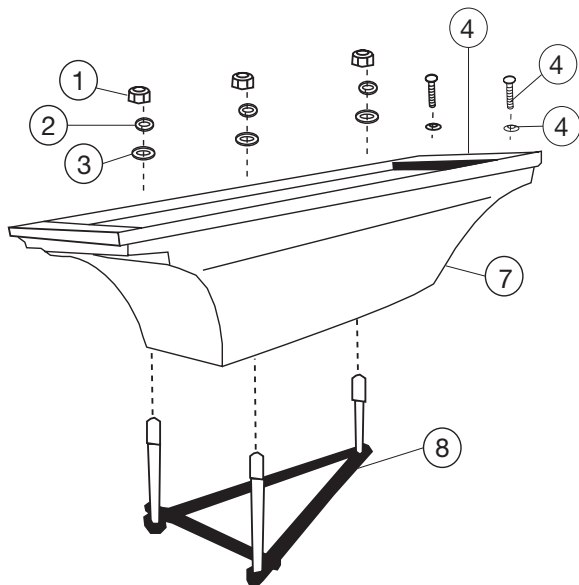
Thickness: 6" min
Width: 4" min
(Note: S.R. Smith cannot guarantee customer's concrete or thickness)

Installation Dimensions

Diving Board Size	ANSI/NSPI-5 Pool Type	Distance for setting front bolt of jig from water's edge (S)**	Minimum overhang (WA)*	Maximum height of board above water (HOW)
6'	I	27"	18"	20"
	II	27"	18"	20"
	III	21"	24"	26"
	IV	15"	30"	30"
	V	9" **	36"	40"
8'	II	41"	18"	20"
	III	35"	24"	26"
	IV	29"	30"	30"
	V	23"	36"	40"
10'	III	50"	24"	26"
	IV	44"	30"	30"
	V	38"	36"	40"

*S and WA dimensions are valid only in conjunction with minimum depth at point A

**When coping is used do not set front bolts of jig closer than 3" from the back edge of the coping



Key	Part No.	Description	Kit A
A	71-209-710-SS	Flyte-Deck II Stand Bolt Kit*	
1	05-14-116	1/2" Hex Nut	•
2	05-14-115	1/2" Lock Washer	•
3	05-14-133	1/2" x 2" Flat Washer	•
4	71-209-545	Flyte-Deck Fulcrum Kit	
7	70-209-7362	6' Flyte-Deck II Stand, w/jig - White	
	70-209-73610	6' Flyte-Deck II Stand, w/jig - Taupe	
	70-209-73620	6' Flyte-Deck II Stand, w/jig - Pewter Gray	
	70-209-73621	6' Flyte-Deck II Stand, w/jig - Silver Gray	
	70-209-73623	6' Flyte-Deck II Stand, w/jig - Pebble	
	70-209-73624	6' Flyte-Deck II Stand, w/jig - Gray Granite	
	70-209-7382	8' Flyte-Deck II Stand, w/jig - White	
	70-209-73820	8' Flyte-Deck II Stand, w/jig - Pewter Gray	
	70-209-73821	8' Flyte-Deck II Stand, w/jig - Silver Gray	
	70-209-73823	8' Flyte-Deck II Stand, w/jig - Pebble	
	70-209-73824	8' Flyte-Deck II Stand, w/jig - Gray Granite	
	70-209-7402	10' Flyte-Deck II Stand, w/jig - White	
	70-209-74010	0' Flyte-Deck II Stand, w/jig - Taupe	
	70-209-74020	10' Flyte-Deck II Stand, w/jig - Pewter Gray	
	70-209-74021	10' Flyte-Deck II Stand, w/jig - Silver Gray	
	70-209-7362A	6' Flyte-Deck II Stand, White, jig not included	
	70-209-7382A	8' Flyte-Deck II Stand, White, jig not included	
	70-209-7402A	10' Flyte-Deck II Stand, White, jig not included	
8	71-209-700-SS	6' Jig w/ 6" bolts	
	71-209-701-SS	6' Jig w/ 9" bolts	
	71-209-705-SS	6' Jig w/ 10" bolts	
	71-209-704-SS	8' Jig w/ 6" bolts	
	71-209-706-SS	8' Jig w/ 9" bolts	
	71-209-707-SS	8' Jig w/ 10" bolts	
	71-209-703-SS	10' Jig w/ 6" bolts	
	71-209-708-SS	10' Jig w/ 9" bolts	
	71-209-709-SS	10' Jig w/ 10" bolts	

Note: *10' comes with 71-209-711-SS

Supreme (656/658) Stand



The Supreme stand is a high-end stand that offers users extreme diving fun!

- Made of durable, scratch resistant acrylic reinforced with fiberglass
- 6' or 8' lengths
- Available in a variety of colors – match your pool slide and backyard décor
- Stainless steel hardware for added corrosion resistance
- Board has a matching, non-slip sanded tread

Board + Stand Colors



Due to printing technology actual color may differ.

Due to differences in material and textures, Gray Granite Diving Boards and Stands are not an exact color match to Gray Granite Slides. Please consult your S.R.Smith sales representative for more details.

All installations must comply with all applicable local and national codes and installation must be completed in accordance with S.R.Smith installation instructions.

Supreme Jump Stand with Frontier III Board

TO HAVE MATCHING BOARD AND TREAD COLOR, ADD THE "T" TO PART NUMBER BELOW

Part No.	Size	Color	Shipping (3 boxes, Class 70)			
			Weight	Length	Width	Height
68-209-6162	6'	White				
68-209-61610	6'	Taupe	52 lbs 24kg	74" 188cm	20" 51cm	3" 8cm
68-209-61620	6'	Gray	22 lbs 10kg	18" 46cm	18" 46cm	10" 25cm
68-209-61621	6'	Silver Gray	20 lbs 10kg	33" 84cm	18" 46cm	4" 10cm
68-209-6163	6'	Blue				
68-209-61623	6'	Pebble*				
68-209-61624	6'	Gray Granite*				
68-209-6182	8'	White				
68-209-6180	8'	Taupe	70 lbs 32kg	98" 249cm	20" 51cm	3" 8cm
68-209-61820	8'	Gray	22 lbs 10kg	18" 46cm	18" 46cm	10" 25cm
68-209-61821	8'	Silver Gray	33 lbs 15kg	41" 104cm	18" 46cm	4" 10cm
68-209-6183	8'	Marine Blue				
68-209-61823	8'	Pebble*				
68-209-61824	8'	Gray Granite*				

* Pebble kits come with Taupe springs. Gray Granite kits come with Rock Gray springs

Compatible with:



TrueTread® Board



Frontier III Board



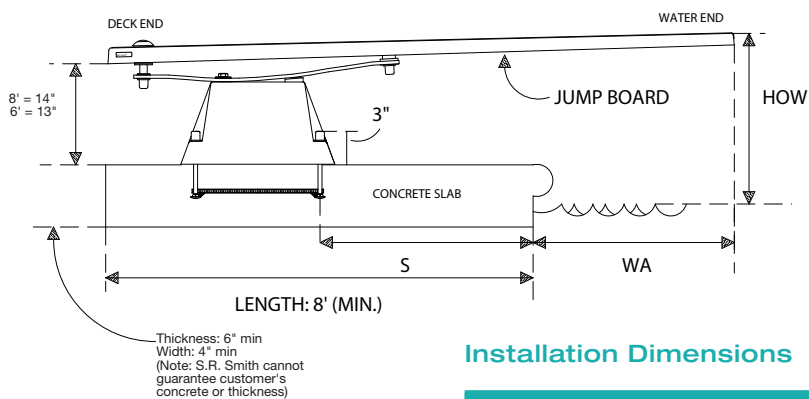
Glas-Hide Board

Supreme Jump Stand with Glas-Hide Board*

Part No.	Size	Color	Shipping (3 boxes, Class 70)			
			Weight	Length	Width	Height
68-209-2362	6'	White	57 lbs 26kg	74" 188cm	20" 51cm	3" 8cm
68-209-2363	6'	Blue w/ White Stand	22 lbs 10kg	18" 46cm	18" 46cm	10" 25cm
			20 lbs 10kg	33" 84cm	18" 46cm	4" 10cm
68-209-2382	8'	White	70 lbs 32kg	98" 249cm	20" 51cm	3" 8cm
68-209-2383	8'	Blue w/ White Stand	22 lbs 10kg	18" 46cm	18" 46cm	10" 25cm
			33 lbs 15kg	41" 104cm	18" 46cm	4" 10cm

*Not recommended for salt pools

See page 26-27 for diving board part numbers.

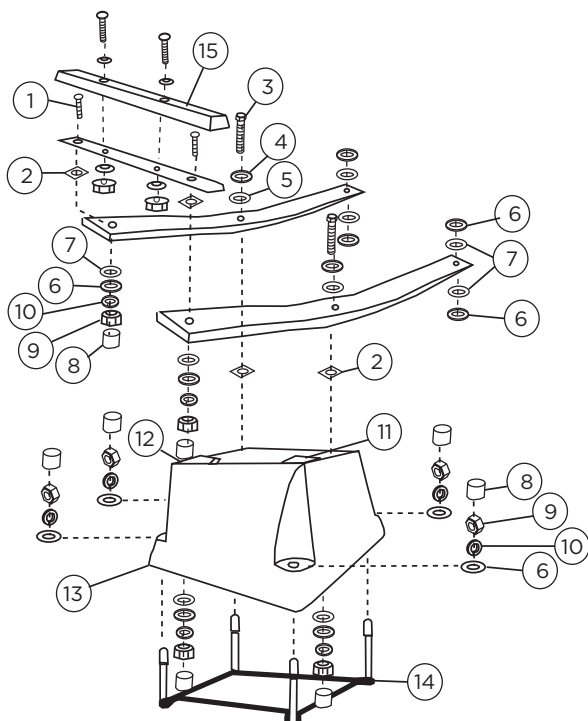


Installation Dimensions

Diving Board Size	ANSI/NSPI-5 Pool Type	Distance for setting front bolt of jig from water's edge (S)**	Minimum overhang (WA)*	Maximum height of board above water (HOW)
6'	I	28-3/4"	18"	20"
	II	28-3/4"	18"	20"
	III	22-3/4"	24"	26"
	IV	16-3/4"	30"	30"
	V	10-3/4"	36"	40"
8'	III	42-1/2"	24"	26"
	IV	36-1/2"	30"	30"
	V	30-1/2"	36"	40"

*S and WA dimensions are valid only in conjunction with minimum depth at point A

**When coping is used do not set front bolts of jig closer than 3" from the back edge of the coping



Key	Part No.	Description	Kit A	Kit B	Kit C
A	69-209-017-SS	Supreme Stand Bolt Kit			
B	69-209-020-SS	Fulcrum Bolt Kit			
C	69-209-019-SS	606/608 Spring Bolt Kit			
1	05-31-170	1/2" x 1 1/2" Carriage Bolt		•	
2	05-630	5/8" x 2" Square Nylon Washer	•	•	
3	05-31-155	5/8" x 3" Hex Head Bolt	•		
4	05-31-158	5/8" x 1 3/4" Flat Washer		•	
5	05-631	5/8" x 1 3/4" Nylon Washer	•		
6	05-14-132	1/2" x 1 3/8" Flat Washer	•	•	•
7	05-616	1/2" x 1 1/2" Round Nylon Washer		•	•
8	05-618	1/2" Plastic Nut Cap	•	•	•
9	05-14-116	1/2" Hex Nut	•	•	•
10	05-14-115	1/2" Lock Washer	•	•	•
11	05-620L	Plastic Tab (Left)		•	
12	05-620R	Plastic Tab (Right)		•	
13	69-209-008 69-209-008-SNST 69-209-008-GG	Supreme Stand, White (jig included) Supreme Stand, Sandstone Supreme Stand, Gray Granite			
14	69-209-007-SS 69-209-007-SS-9 69-209-007-SS-10	Jig with 7" bolts Jig with 9" bolts Jig with 10" bolts			
15	04-605-SS	Fulcrum Assembly			
	69-209-026	606 Spring and Fulcrum			
	69-209-028	608 Spring and Fulcrum			

Cantilever (606/608) Stand



- Powder-coated for increased corrosion resistance
- 6' or 8' lengths
- Available in designer colors to match your pool slide and backyard décor
- Stainless steel hardware for added corrosion resistance
- Board has a matching non-slip sanded tread
- Salt Pool Jump System can be retrofitted on a Cantilever jig

Stand Colors



Board Colors



Due to printing technology actual color may differ.

Due to differences in material and textures, Gray Granite Diving Boards and Stands are not an exact color match to Gray Granite Slides. Please consult your S.R.Smith sales representative for more details.

All installations must comply with all applicable local and national codes and installation must be completed in accordance with S.R.Smith installation instructions.

Compatible with:



TrueTread® Board



Frontier III Board



Glas-Hide Board

See page 26-27 for diving board part numbers.

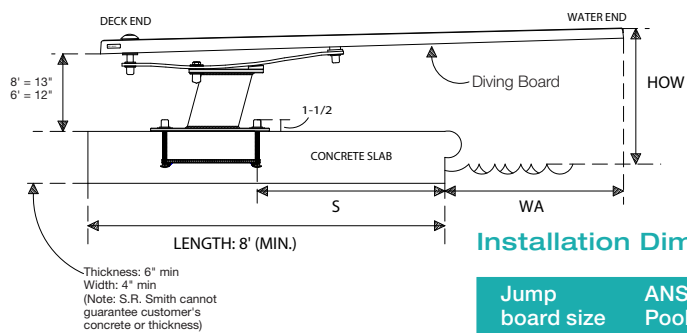
Cantilever Jump Stand with Frontier III Board

Part No.	Size	Color	Shipping (3 boxes, Class 70)				
			Weight	Length	Width	Height	
68-210-59610	6'	Taupe	52 lbs 24kg	74" 188cm	20" 51cm	3" 8cm	
68-209-5962	6'	White	60 lbs 27kg	16" 41cm	14" 36cm	12" 30cm	
68-210-59623	6'	Pebble*	20 lbs 10kg	33" 84cm	18" 46cm	4" 10cm	
68-210-59624	6'	Gray Granite*	68-210-596-SG	6'	Silver Gray		
68-210-59810	8'	Taupe	70 lbs 32kg	98" 249cm	20" 51cm	3" 8cm	
68-209-5982	8'	White	60 lbs 27kg	16" 41cm	14" 36cm	12" 30cm	
68-210-59823	8'	Pebble*	68-210-59824	8'	Gray Granite*		
68-210-59824	8'	Gray Granite*	33 lbs 15kg	41" 104cm	18" 46cm	4" 10cm	
68-210-598-SG	8'	Silver Gray					

* Clear tread

Cantilever Jump Stand with Glas-Hide Board

Part No.	Size	Color	Shipping (3 boxes, Class 70)			
			Weight	Length	Width	Height
68-209-2062	6'	White	57 lbs 26kg	74" 188cm	20" 51cm	3" 8cm
68-209-2063	6'	Blue	60 lbs 27kg	16" 41cm	14" 36cm	12" 30cm
			20 lbs 10kg	33" 84cm	18" 46cm	4" 10cm
68-209-2082	8'	White	57 lbs 26kg	98" 249cm	20" 51cm	3" 8cm
68-209-2083	8'	Blue	60 lbs 27kg	16" 41cm	14" 36cm	12" 30cm
			20 lbs 10kg	41" 104cm	18" 46cm	4" 10cm

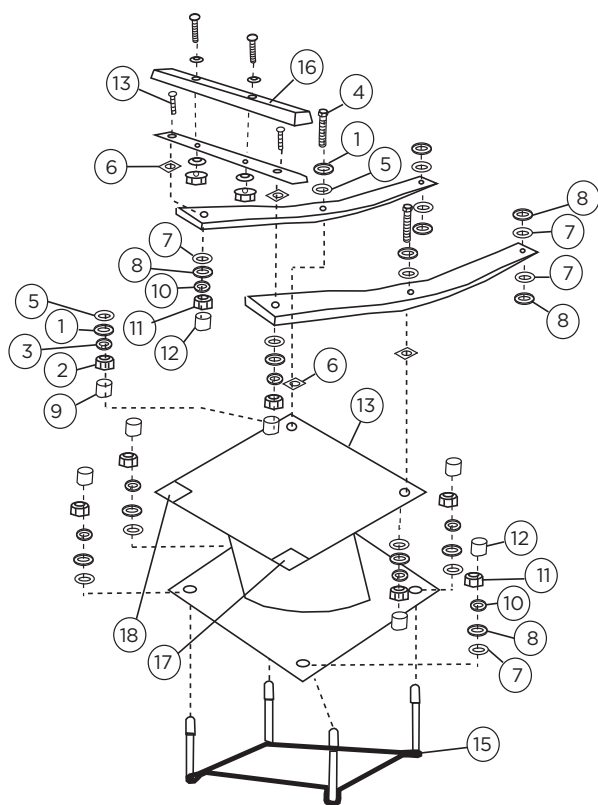


Installation Dimensions

Jump board size	ANSI/NSPI-5 Pool Type	Distance for setting front bolt of jig from water's edge (S)**	Minimum overhang (WA)*	Maximum height of board above water (HOW)
6'	I	32"	18"	20"
	II	32"	18"	20"
	III	26"	24"	26"
	IV	20"	30"	30"
	V	14"	36"	40"
8'	III	45"	24"	26"
	IV	39"	30"	30"
	V	33"	36"	40"

*S and WA dimensions are valid only in conjunction with minimum depth at point A

**When coping is used do not set front bolts of jig closer than 3" from the back edge of the coping



Key	Part No.	Description	Kit A	Kit B	Kit C
A	69-209-021-SS	Cantilever Stand Base Bolt Kit			
B	69-209-020-SS	Fulcrum Bolt Kit			
C	69-209-019-SS	606/608 Spring Bolt Kit			
1	05-31-158	5/8" Flat Washer			•
2	05-31-159	5/8" Hex Nut			•
3	05-31-157	5/8" Lock Washer			•
4	05-31-156	5/8" x 2 1/4" Hex Head Bolt			•
5	05-631	5/8" x 1 3/4" Nylon Washer			•
6	05-630	5/8" x 2" Square Nylon Washer		•	•
7	05-616	1/2" x 1 1/2" Round Nylon Washer	•	•	•
8	05-14-132	1/2" x 1 3/8" Flat Washer	•	•	•
9	05-600	5/8" White Rubber Nut Cap			•
10	05-14-115	1/2" Lock Washer	•	•	
11	05-14-116	1/2" Hex Nut	•	•	
12	05-618	1/2" White Rubber Nut Cap	•	•	
13	05-31-170	1/2" x 1 1/2" Carriage Bolt			•
14	69-209-001 69-209-001-RG 69-209-001-TP	Cantilever Stand, White (jig included) Stand, Rock Gray (jig included) Stand, Taupe (jig included)			
15	69-209-006-SS 69-209-010-SS 69-209-011-SS	Jig w/6" bolts Jig w/9" bolts Jig w/10" bolts			
16	04-605-SS	Assembled Fulcrum (no hardware)			
17	05-620L	Plastic Tab (left)		•	
18	05-620R	Plastic Tab (right)			•
	69-209-026 69-209-026-RG 69-209-026-TP	606 Spring Assembly, White 606 Spring Assembly, Rock Gray 606 Spring Assembly, Taupe			
	69-209-028 69-209-028-RG 69-209-028-TP	608 Spring Assembly, White 608 Spring Assembly, Rock Gray 608 Spring Assembly, Taupe			
	67-209-911-SS	Bolt Kit for diving board			

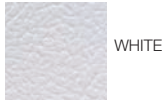
Frontier II Stand



The Frontier II is a high-value stand and board ideal for price-sensitive customers.

- Made of strong steel and powder-coated white for increased corrosion resistance
- 6' or 8' lengths
- Stand comes in white, with your choice of board color to match your pool slide and backyard décor
- Stainless steel hardware for added corrosion resistance
- Board has a matching non-slip sanded tread

Stand Color



WHITE

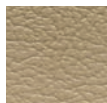
Board Colors



WHITE



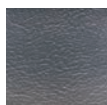
PEBBLE



TAUPE



GRAY GRANITE



GRAY



BLUE

Due to printing technology actual color may differ.

Due to differences in material and textures, Gray Granite Diving Boards and Stands are not an exact color match to Gray Granite Slides. Please consult your S.R.Smith sales representative for more details.

All installations must comply with all applicable local and national codes and installation must be completed in accordance with S.R.Smith installation instructions.

Frontier II Jump Stand with Frontier II Board*

TO HAVE MATCHING BOARD AND TREAD COLOR, ADD THE "T" TO PART NUMBER BELOW

Part No.	Size	Color	Shipping (2 boxes, Class 70)							
			Weight	Length	Width	Height				
68-209-586610	6'	Taupe	52 lbs 24kg	74" 188cm	20" 51cm	3" 8cm				
68-209-58662	6'	White								
68-209-586620	6'	Gray								
68-209-586621	6'	Silver Gray	27 lbs 12kg	34" 86cm	8" 20cm	8" 20cm				
68-209-58663	6'	Blue								
68-209-586623	6'	Pebble**								
68-209-586624	6'	Gray Granite**	70 lbs 32kg	98" 249cm	20" 51cm	3" 8cm				
68-209-586810	8'	Taupe								
68-209-58682	8'	White								
68-209-586820	8'	Gray								
68-209-58682	8'	Silver Gray					34 lbs 15kg	41" 104cm	9" 23cm	7" 18cm
68-209-58683	8'	Blue								
68-209-586823	8'	Pebble**								
68-209-586824	8'	Gray Granite**								

* Not recommended for salt pools or decks with pavers.

** Clear tread

Compatible with:

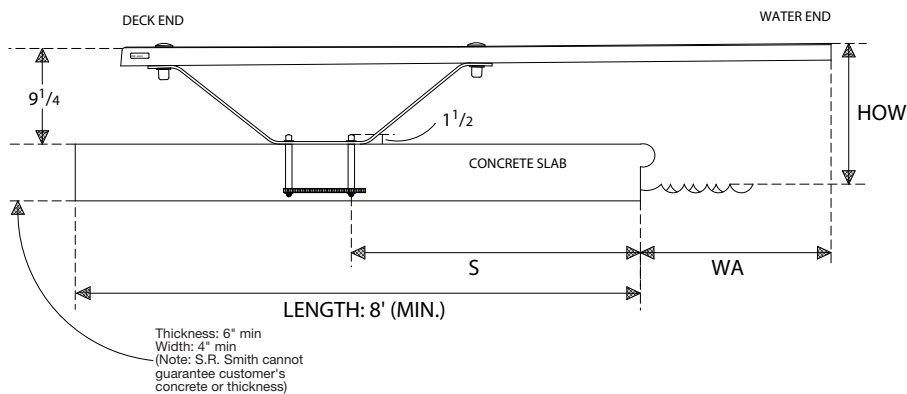


Frontier II Board

Frontier II Bases & Jig

Part No.	Size	Color	Shipping (Class 70)			
			Weight	Length	Width	Height
69-209-5866	6'	Spring Base only	26.5 lbs 12kg	34" 86cm	8" 20cm	8" 20cm
69-209-5888	8'	Spring Base only	34 lbs 15kg	41" 104cm	9" 23cm	7" 18cm
69-209-227-SS	Jig only (included with base)		3 lbs 1kg	7" 18cm	7" 18cm	7" 18cm

See page 26-27 for diving board part numbers.

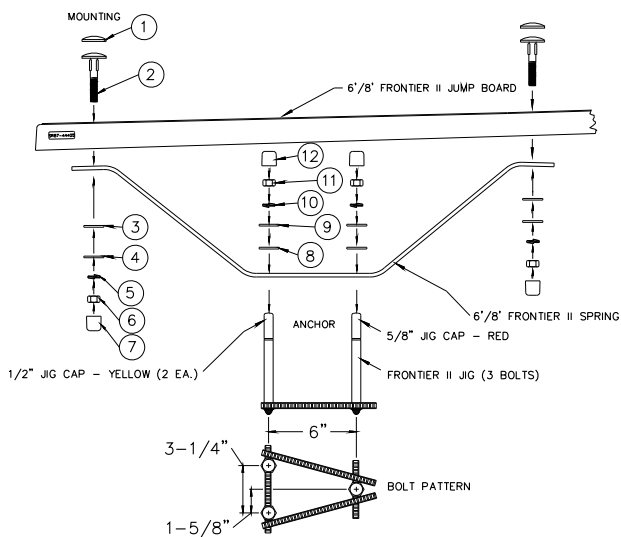


Installation Dimensions

Diving Board Size	ANSI/NSPI-5 Pool Type	Distance for setting front bolt of jig from water's edge (S)**	Minimum overhang (WA)*	Maximum height of board above water (HOW)
6'	I	26"	18"	20"
	II	26"	18"	20"
	III	20"	24"	26"
	IV	14"	30"	30"
8'	III	34"	24"	26"
	IV	28"	30"	30"
	V	22"	36"	40"

*S and WA dimensions are valid only in conjunction with minimum depth at point A

**When coping is used do not set front bolts of jig closer than 3" from the back edge of the coping



Key	Part No.	Description	Kit A	Kit B
A	69-209-032-SS	Frontier II Mounting Bolt Kit		
B	69-209-033-SS	Frontier II Spring Anchor Bolt Kit		
1		Step Bolt Head Cap, white rubber (3 ea.)	•	
2		1/2" x 3" Large Step Bolt, SS (3 ea.)	•	
3		1/2" x 1 1/2" Round Nylon Washer (3 ea.)	•	
4		1/2" x 1 3/8" Flat Washer, SS (3 ea.)	•	
5		1/2" Lock Washer, SS (3 ea.)	•	
6		1/2" Hex Nut, SS (3 ea.)	•	
7		1/2" White Plastic Nut Cap (3 ea.)	•	
8		5/8" x 1 3/4" Nylon Washer (3 ea.)	•	
9		5/8" x 1 3/4" Flat Washer, SS (3 ea.)		•
10		5/8" Lock Washer, SS (3 ea.)		•
11		5/8" Hex Nut, SS (3 ea.)		•
12		5/8" White Rubber Nut Cap (3 ea.)		•

U-Frame Stand



Stand Color



POLISHED STEEL

Due to printing technology actual color may differ.

All installations must comply with all applicable local and national codes and installation must be completed in accordance with S.R.Smith installation instructions.

Compatible with:



TrueTread® Board



Fibre-Dive Board



Frontier III Board



Frontier IV Board* (8' only)

The U-Frame stand is a great entry-level stand, ideal for price-sensitive users.

- Made of 1.90" OD, .049" or .065" wall, 304 or 316L stainless steel tubing, and includes a slip-on rubber fulcrum
- Choose from a variety of board colors to match your pool slide and backyard décor
- Pair with 6', 8', 10' or 12' boards

Stand Part No.	Description	Board Size	Shipping (Class 85)			
			Weight	Length	Width	Height
UF-12-100	12" U-Frame (.049)	6' or 8'	14 lbs 6kg	33" 84cm	25" 64cm	2" 5cm
UF-14-101	14" U-Frame (.049)	6' or 8'	16 lbs 7.2kg	33" 84cm	25" 64cm	2" 5cm
UF-18-101	18" U-Frame (.049)	6' or 8'	16 lbs 7.2kg	33" 84cm	25" 64cm	2" 5cm
UF-18-102	18" U-Frame (.065)	6' or 8'	18 lbs 8.1kg	34" 86cm	31" 79cm	2" 5cm
UF-24-103	24" U-Frame (.049)	10' or 12'	16 lbs 7.2kg	34" 86cm	31" 79cm	2" 5cm
UF-24-102	24" U-Frame (.065)	10' or 12'	19 lbs 8.6kg	34" 86cm	31" 79cm	2" 5cm

• For Marine Grade (316L), add -MG to part number

• Boards are sold separately

* Not recommended for salt pools

U-Frame with 8' Frontier IV Board*

The special U-Frame Stand, designed specifically for our Frontier IV board, is a great alternative to consider for pools with heavy diving traffic and more athletic pool users.

- The Frontier IV board comes in an 8' length
- Mounting bolts are on 11" centers
- Frontier IV comes in white, with a matching non-slip sanded tread for maximum safety
- Made of 1.90"OD, .109 wall tubing, 304 or 316L stainless steel tubing
- 400 lb. weight limit

Stand Part No.	Description	Board Size	Shipping (Class 85)			
			Weight	Length	Width	Height
UF-15-200	15" U-Frame only (.109)	8'	21 lbs 9kg	33" 84cm	25" 64cm	2" 5cm
68-209-1582	U-Frame with 8' Frontier IV board	8'	201 lbs 91kg	98" 249cm	20" 51cm	3" 8cm
				45" 114cm	17" 43cm	14" 36cm
66-209-4082	8' Frontier IV Board (board only)					

Notes:

• Weight limit 400 lbs.

* The Frontier IV board has 11" bolt centers and requires this SPECIAL U-Frame that will only work with this board

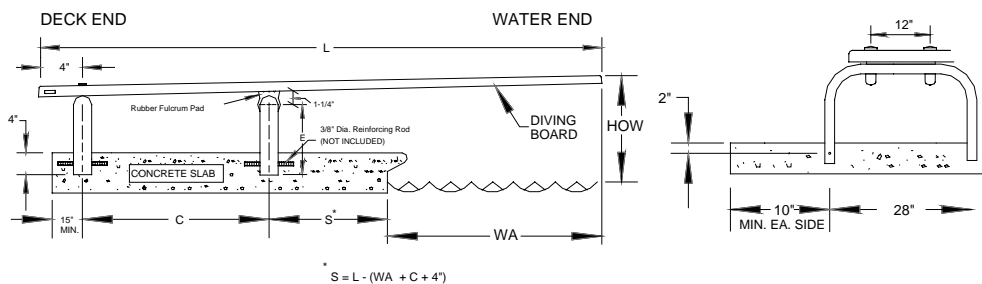


FC-100A

U-Frame Fulcrum Pad

- Heavy-duty rubber
- 20" long
- Accommodates 1.90" OD tubing

See page 26-27 for diving board part numbers.



Thickness: 6" min
 Width: 4" min
 Note: S.R.Smith cannot guarantee customer's concrete strength or thickness

$$S = L - (WA + C + 4")$$

Installation Dimensions

Residential Pools

Pool Type	Diving Board	Fulcrum Setting (C)	Actual Length (L)*	Max. board over water (HOW)	Minimum Overhang (WA)	Recommended U-Frame
I	6'	30" ±3"	70-1/2"	20"	18"	UF-12-100 or UF-18-101 or UF-18-102
II	8'	40" ±4"	94-1/2"	20"	18"	
III	10'	52" ±5"	118-1/2"	26"	24"	UF-24-102 or UF-24-103
IV	10'	52" ±5"	118-1/2"	30"	30"	
V	12'	62" ±6"	142-1/2"	40"	36"	

* Add 1 1/2" to L dimension for Aluminum Diving Boards

Commercial Pools

Pool Type	Diving Board Length	Fulcrum Setting (C)	Actual Length (L)*	Max. board height over water (HOW)	Minimum Overhang (L1**)
VI	10'	52" ±5"	118-1/2"	26" (2/3 Meter)	30"
VII	12'	62" ±6"	142-1/2"	30" (3/4 Meter)	36"
VIII	16'	86" ±6"	190-1/2"	1 Meter	48"
IX	16'	86" ±6"	190-1/2"	3 Meter	72"

* Add 1 1/2" to L dimension for Aluminum Diving Boards

** L1 dimension is valid only in conjunction with min. depth (D1) at point A for pool type (See ANSI/NSPI-1 2003 Figure 1 and Table 2)

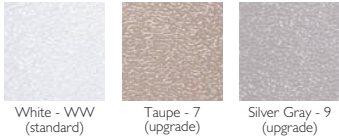
COMPLY WITH LOCAL GOVERNMENT REGULATIONS FOR PUBLIC SWIMMING POOLS IF THEY EXCEED THE ANSI/NSPI-1 STANDARD



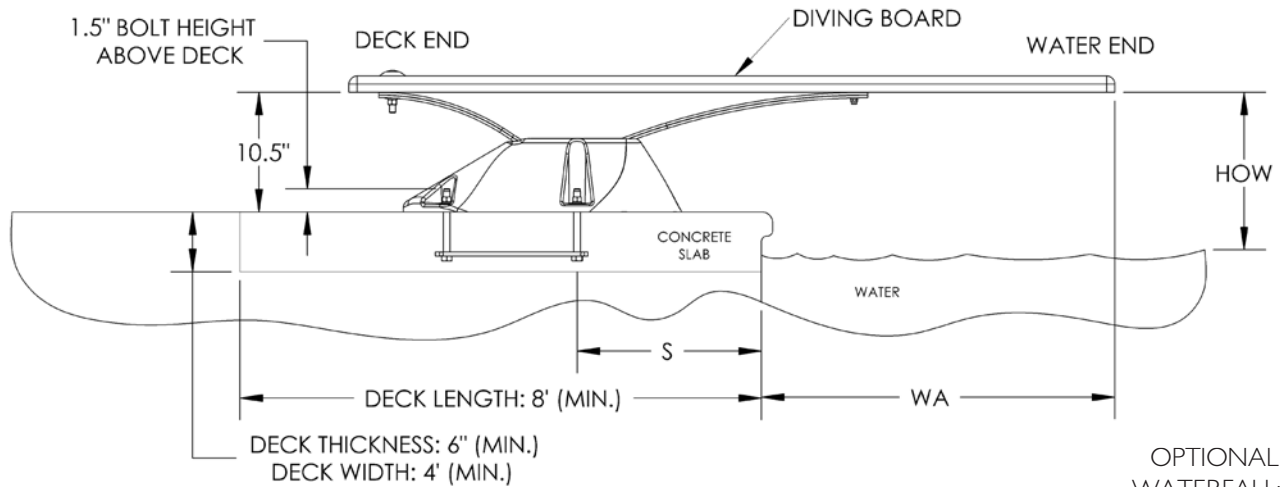
Edge Jump System

- Available in 6' or 8' Board Lengths
- Comes in several colors to match your outdoor decor
- Active Base - Spring Feature is Derived from Both Base & Board
- Durable & Long Lasting Acrylic & Fiberglass Construction with Advanced Composite Springs
- Optional board fall compatible with Board & Base
- Weight Limit: 300 lbs.
- Can be Used for Retrofit Applications with Existing 12" on Center Techni-Spring Steel Jigs or 606/608 12" Jig Bolt Pattern

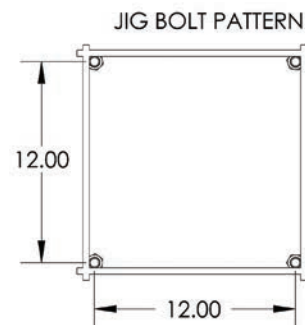
Edge Base Colors



Board Colors



OPTIONAL
WATERFALL:
BOARD FALL



Edge Board With Mounting Hardware

Part No.	Description
SHIPPING	6' Board: 49 Lbs 76" L X 19" W X 3" H 8' Board: 79 Lbs 98" L X 19" W X 3" H
EDGE6WW	6' Edge Board - White
EDGE6BW	6' Edge Board - Blue
EDGE6-7	6' Edge Board - Taupe
EDGE6-9	6' Edge Board - Silver Gray
EDGE8WW	8' Edge Board - White
EDGE8BW	8' Edge Board - Blue
EDGE8-7	8' Edge Board - Taupe
EDGE8-9	8' Edge Board - Silver Gray

Includes aquaboard with matching top tread and stainless steel hardware

Edge Springs With Mounting Hardware Compatible with 6' Or 8' Boards

Part No.	Description
SHIPPING	27 lbs 26" L x 18" W x 8" H
EDGE-SPRING	Spring Assembly - White
EDGE-SPRING-3	Spring Assembly - Taupe
EDGE-SPRING-9	Spring Assembly - Silver Gray

Spring assembly with spring to base and spring to board stainless steel hardware

Edge Base And Jig Compatible with 6' Or 8' Boards

Part No.	Description
SHIPPING	27 lbs 26" L x 18" W x 8" H
EDGE-BASE	Base And Jig - White
EDGE-BASE-7	Base And Jig - Taupe
EDGE-BASE-9	Base And Jig - Silver Gray

Edge Base and Jig Includes Stainless Steel Jig to Base Mounting Hardware

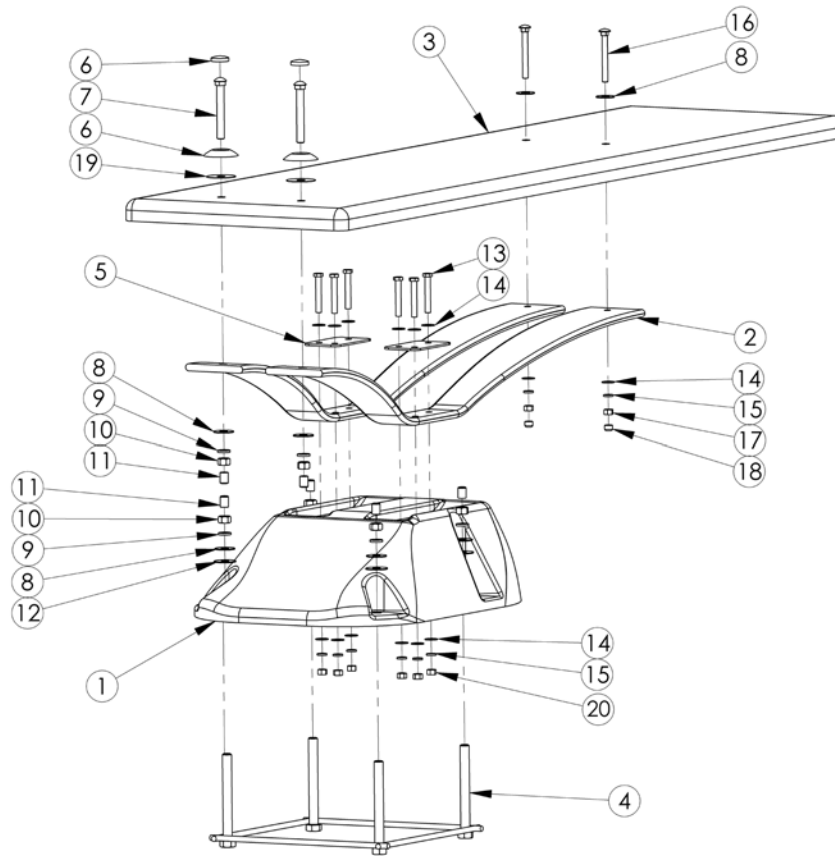
Edge Base Only - Compatible with 6' Or 8' Boards

Part No.	Description
SHIPPING	19 lbs 26" L x 18" W x 8" H
EDGE-BASE-NJ	BASE ONLY - White
EDGE-BASE-NJ-7	BASE ONLY - Taupe
EDGE-BASE-NJ-9	BASE ONLY - Silver Gray

Edge Base and Jig Includes Stainless Steel Jig to Base Mounting Hardware

Optional Waterfall Assembly Kit

Part No.	Description
SHIPPING	5 lbs 13" L x 12" W x 6" H
BOARD FALL	Includes: Board Fall, Mounting Hardware (4 Screws), 8' & 4" Of 1/2" Flex Pvc Pipe, 1-Union

Edge
Jump
System

Drawing represents the following part numbers:
EDGE-BASE
EDGE-SPRING
EDGE6WW

EDGE6WW diving board shown in exploded view for illustration purposes. Must be purchased separately. Protective Caps for bolts available in White only.

Key	Part No.	Description	Kits - Quantity Counts				
			T7-BK	EDGE-SP	EDGE-M	EDGE	
1	EDGE-BASE	Edge Diving Base				1	TS-BK:
2	EDGE-SPRING	Edge Spring				2	Base to Jig
3	EDGE-BOARD	Edge Diving Board				1	Mounting
4	TS-EDGE-J	Edge Jig				1	Hardware
5	Spring Pad (factory installed)	Edge Spring Pad				2	EDGE-SP:
6	H-WHT WAS/CAP	IFI White Washer Cap			2		Spring to Base
7	H-SS 1/2X13X4C	1/2" - 13 X 4" Carriage Bolt S.S.			2		Mounting
8	H-SS 1/2 F WASH	1/2" Flat Washer S.S.	4		4		Hardware
9	H-SS 1/2 LOC WA	1/2" Lock Washer S.S.	4		2		EDGE-M:
10	H-SS 1/2 H NUT	1/2" Hex Nut S.S.	4		2		Board to Springs
11	H-1-1/2 WHT CAP	.750 x 1-1/2" White UV Nut Cap	4		2		Mounting
12	H-1/2 NYLON WAS	1/2" Flat Nylon Washer	4				Hardware
13	H-SS 3/8-16X2-1/2	3/8" x 2 1/2" Hex Head Bolt S.S.		6			
14	H-SS 3/8 FLT WA	3/8" Flat Washer S.S.		12	2		
15	H-SS 3/8 LOC WA	3/8" Lock Washer S.S.		6	2		
16	H-SS 3/8X3-1/2C	3/8" x 3 1/2" Carriage Bolt S.S.			2		
17	H-SS 3/8 F NUT	3/8" Finish Hex Nut S.S.			2		
18	H-.531 X 1.00 CAP	.531 x 1.00 White Protective Cap			2		
19	H-1/2 BLK WASH	1/2" x 2" dia. Black Rubber Washer			2		
20	H-SS 3/8 NYLON	3/8" Nylon Insert Locknut		6			* not pictured
21*	H-ANTI-SEIZE	Packet of Anti Seize Lubricant (not shown)				1	

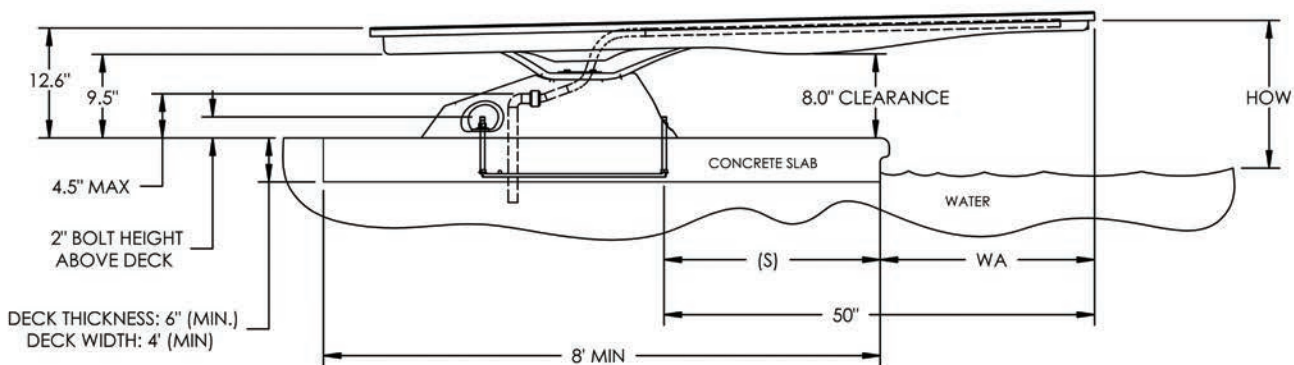


T7 Jump System

- Unique 7' Diving Board Can Be Installed on Type I – Type V Pools
- Durable, Long Lasting Fiberglass Construction with Advanced Composite Springs
- Advanced High-Tech RTM Manufacturing
- Optional Board Fall Compatible Base
- Weight Limit = 300 lbs.
- Variety of Earth Tones & Granite Colors Available
- Suitable for Use With Salt Systems
- Matching Products: Designed to match the Landscape Slide products or Destination Series In-Pool Furniture perfectly for a complete designer pool look.



COLOR OPTIONS



T7 Diving System - Complete Basic Setup

Complete system comes with Board, Spring, Base, Jig and all Stainless Steel Mounting Hardware. 300 lb Weight Limit

Part No.	Description
SHIPPING	Contact customer care@srsmith.com
T7-N51-C	Complete Basic Setup - Tan
T7-N52-C	Complete Basic Setup - Gray
T7-N54-C	Complete Basic Setup - Mont Blanc
T7-N55-C	Complete Basic Setup - Pebble
T7-N56-C	Complete Basic Setup - Fashion Gray
T7-N57-C	Complete Basic Setup - Cappuccino
T7-N58-C	Complete Basic Setup - Autumn Sun
T7-N60-C	Complete Basic Setup - Starry Night
T7-N61-C	Complete Basic Setup - Seashell

T7 Diving System - Complete With Waterfall

Complete system comes with Board, Spring, Base, Jig, Waterfall Feature and all Stainless Steel Mounting Hardware. 300 lb Weight Limit

Part No.	Description
SHIPPING	Contact customer care@srsmith.com
T7-NWBFAL-51-C	Complete With Waterfall - Tan
T7-NWBFAL-52-C	Complete With Waterfall - Gray
T7-NWBFAL-54-C	Complete With Waterfall - Mont Blanc
T7-NWBFAL-55-C	Complete With Waterfall - Pebble
T7-NWBFAL-56-C	Complete With Waterfall - Fashion Gray
T7-NWBFAL-57-C	Complete With Waterfall - Cappuccino
T7-NWBFAL-58-C	Complete With Waterfall - Autumn Sun
T7-NWBFAL-60-C	Complete With Waterfall - Starry Night
T7-NWBFAL-61-C	Complete With Waterfall - Seashell

T7 Sand Tread Board w/ Mounting Hardware

Comes with 7' Sand Tread Surface Board Only and Stainless Steel Hardware. 300 lb Weight Limit

Part No.	Description
SHIPPING	Contact customer care@srsmith.com
T7 DB-51	Sand Tread Board And Springs - Tan
T7 DB-52	Sand Tread Board And Springs - Gray
T7 DB-54	Sand Tread Board And Springs - Mont Blanc
T7 DB-55	Sand Tread Board And Springs - Pebble
T7 DB-56	Sand Tread Board And Springs - Fashion Gray
T7 DB-57	Sand Tread Board And Springs - Cappuccino
T7 DB-58	Sand Tread Board And Springs - Autumn Sun
T7 DB-60	Sand Tread Board And Springs - Starry Night
T7 DB-61	Sand Tread Board And Springs - Seashell

T7 Springs (Pair) with Mounting Hardware

T7 Springs (pair) with Spring to Base Stainless Steel Hardware

Part No.	Description
SHIPPING	27 lbs 47" L x 7" W x 8" H
T7-NSPRING-3	Taupe (For Colors -51, -55, -57, -58 & -61)
T7-NSPRING-9	Gray (For Colors -52, -54, -56 & -60)

T7 Base and Jig With Mounting Hardware

T7 Base and Jig with Jig to Base Stainless Steel Hardware

Part No.	Description
SHIPPING	Contact customer care@srsmith.com
T7-NBASE-51	T7 Base And Jig - Tan
T7-NBASE-52	T7 Base And Jig - Gray
T7-NBASE-54	T7 Base And Jig - Mont Blanc
T7-NBASE-55	T7 Base And Jig - Pebble
T7-NBASE-56	T7 Base And Jig - Fashion Gray
T7-NBASE-57	T7 Base And Jig - Cappuccino
T7-NBASE-58	T7 Base And Jig - Autumn Sun
T7-NBASE-60	T7 Base And Jig - Starry Night
T7-NBASE-61	T7 Base And Jig - Seashell

T7 Base With Mounting Hardware - No Jig

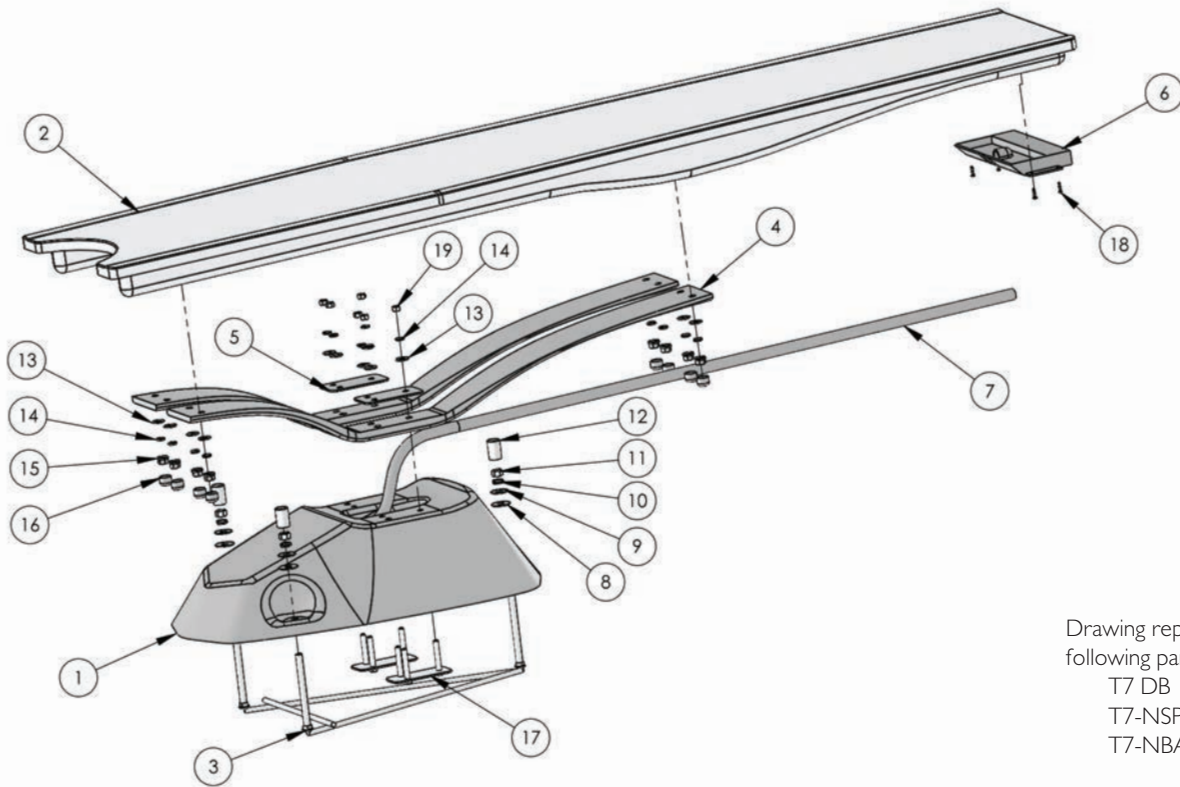
T7 Base with Stainless Steel Mounting Hardware without Jig

Part No.	Description
SHIPPING	Contact customer care@srsmith.com
T7-NBASE-51-NJ	T7 BASE - TAN
T7-NBASE-52-NJ	T7 BASE - GRAY
T7-NBASE-54-NJ	T7 BASE - MONT BLANC
T7-NBASE-55-NJ	T7 BASE - PEBBLE
T7-NBASE-56-NJ	T7 BASE - FASHION GRAY
T7-NBASE-57-NJ	T7 BASE - CAPPUCCINO
T7-NBASE-58-NJ	T7 BASE - AUTUMN SUN
T7-NBASE-60-NJ	T7 BASE - STARRY NIGHT
T7-NBASE-61	T7 BASE - SEASHELL

Optional Waterfall Assembly Kit

Part No.	Description
SHIPPING	5 lbs 13" L x 12" W x 6" H
BOARD FALL	Includes: Board Fall, Mounting Hardware (4 Screws), 8' & 4" Of 1/2" Flex Pvc Pipe, 1-Union

T7 Jump System



Drawing represents the following part numbers:
 T7-DB
 T7-NSPRING
 T7-NBASE

The T7 diving board, base, and springs must be used together and cannot be used separately in any other configuration. Protective Caps for bolts available in White only.

Key	Part No.	Description	Kits - Quantity Counts			
			T7-NBK	T7-102-SS	T7-NSPW	T7
1*	T7-NBASE-(Color Code)	No Step T7 Base				1
2	T7-DB-(Color Code)	7' T7 Diving Board				1
3	T7-NJIG	3 Bolt T7 No Step Base Jig				1
4	T7-NSPRING-(Color)	T7 Nbase Springs (Pair)				1
5	SPRING PAD (Factory Installed)	T7 Nspring Pad				2
6**	BOARD FALL	Optional Waterfall Assembly				1
7**	H-1/2 SPA HOSE	1/2" Pvc Flex Spa Hose Gray				1
8	H-1/2 NYLON WAS	1/2" Flat Nylon Washer	3			
9	H-SS 1/2 F WAS	1/2" SS Flat Washer	3			
10	H-SS 1/2 LOC WA	1/2" SS Lock Washer	3			
11	H-SS 1/2 H NUT	1/2" SS Hex Nut	3			
12	H-1-1/2 WHT CAP	.750 X 1-1/2 White Uv Nut Cap	3			
13	H-SS 3/8 FLT WA	3/8" SS Flat Washer		8	6	
14	H-SS 3/8 LOC WA	3/8" SS Lock Washer		8	6	
15	H-SS 3/8 F NUT	3/8" SS Finish Hex Nut		8		
16	H-.562 X .390 CAP	.553 X 1/2" Gray Protective Cap		8		
17	T7-NSPW	Stud Plate			2	
18**	H-SS #8 X 3/4	SS 8 X 3/4" Pan Head Phillips Screw				4
19*	H-SS 3/8 NYLON	3/8" Nylon Insert Lock Nut			6	
20*	H-ANTI-SEIZE	Packet of Anti Seize Lubricant (Not Shown)		1	1	

* not pictured

** OPTIONAL WATERFALL FEATURE SOLD SEPARATELY

NOTES:

Part #T7-NBASE comes WITH jig (#3).

Residential Board Part Numbers

All part numbers shown are for a diving board with a white tread, unless noted.

TO ORDER A DIVING BOARD WITH A MATCHING TREAD, ADD A "T" AT THE END OF THE PART NUMBER.



Fibre-Dive Boards (2-hole)

Weight Limit = 250 lbs.

Part Number	Board Size	Color	Shipping: (Class 70)	Weight	Length	Width	Height
66-209-266S2-1	6'	White		36 lbs 16kg	74" 188cm	20" 51cm	3" 8cm
66-209-266S3-1	6'	Blue		36 lbs 16kg	74" 188cm	20" 51cm	3" 8cm
66-209-266S10	6'	Taupe		36 lbs 16kg	74" 188cm	20" 51cm	3" 8cm
66-209-266S20	6'	Pewter Gray		36 lbs 16kg	74" 188cm	20" 51cm	3" 8cm
66-209-266S23	6'	Pebble w/clear tread		36 lbs 16kg	74" 188cm	20" 51cm	3" 8cm
66-209-266S24	6'	Gray Granite w/clear tread		36 lbs 16kg	74" 188cm	20" 51cm	3" 8cm
66-209-268S2-1	8'	White		59 lbs 27kg	98" 249cm	20" 51cm	3" 8cm
66-209-268S3-1	8'	Blue		59 lbs 27kg	98" 249cm	20" 51cm	3" 8cm
66-209-268S10	8'	Taupe		59 lbs 27kg	98" 249cm	20" 51cm	3" 8cm
66-209-268S20	8'	Pewter Gray		59 lbs 27kg	98" 249cm	20" 51cm	3" 8cm
66-209-268S23	8'	Pebble w/clear tread		59 lbs 27kg	98" 249cm	20" 51cm	3" 8cm
66-209-268S24	8'	Gray Granite w/clear tread		59 lbs 27kg	98" 249cm	20" 51cm	3" 8cm
66-209-270S2-1	10'	White		75 lbs 34kg	122" 310cm	20" 51cm	3" 8cm
66-209-270S3-1	10'	Blue		75 lbs 34kg	122" 310cm	20" 51cm	3" 8cm
66-209-270S10	10'	Taupe		75 lbs 34kg	122" 310cm	20" 51cm	3" 8cm
66-209-270S20	10'	Pewter Gray		75 lbs 34kg	122" 310cm	20" 51cm	3" 8cm

Frontier II Boards (3-hole)

Weight Limit = 250 lbs.

Part Number	Board Size	Color	Shipping: (Class 70)	Weight	Length	Width	Height
66-209-586S2	6'	White		52 lbs 24kg	74" 188cm	20" 51cm	3" 8cm
66-209-586S3	6'	Blue		52 lbs 24kg	74" 188cm	20" 51cm	3" 8cm
66-209-586S10	6'	Taupe		52 lbs 24kg	74" 188cm	20" 51cm	3" 8cm
66-209-586S20	6'	Pewter Gray		52 lbs 24kg	74" 188cm	20" 51cm	3" 8cm
66-209-586S23	6'	Pebble w/clear tread		52 lbs 24kg	74" 188cm	20" 51cm	3" 8cm
66-209-586S24	6'	Gray Granite w/clear tread		52 lbs 24kg	74" 188cm	20" 51cm	3" 8cm
66-209-588S2	8'	White		70 lbs 32kg	98" 249cm	20" 51cm	3" 8cm
66-209-588S3	8'	Blue		70 lbs 32kg	98" 249cm	20" 51cm	3" 8cm
66-209-588S10	8'	Taupe		70 lbs 32kg	98" 249cm	20" 51cm	3" 8cm
66-209-588S20	8'	Pewter Gray		70 lbs 32kg	98" 249cm	20" 51cm	3" 8cm
66-209-588S23	8'	Pebble w/clear tread		70 lbs 32kg	98" 249cm	20" 51cm	3" 8cm
66-209-588S24	8'	Gray Granite w/clear tread		70 lbs 32kg	98" 249cm	20" 51cm	3" 8cm

NOTE: If replacing a board you must replace the fulcrum pad. Failure to do so will void warranty.

* Due to differences in material and textures, Gray Granite Diving Boards and Stands are not an exact color match to Gray Granite Slides. Please consult your S.R.Smith sales representative for more details.



Frontier III Boards (2-hole)

Weight Limit = 250 lbs.

Part Number	Board Size	Color	Shipping: (Class 70)	Weight	Length	Width	Height
66-209-596S2	6'	White		52 lbs 24kg	74" 188cm	20" 51cm	3" 8cm
66-209-596S3	6'	Blue		52 lbs 24kg	74" 188cm	20" 51cm	3" 8cm
66-209-596S10	6'	Taupe		52 lbs 24kg	74" 188cm	20" 51cm	3" 8cm
66-209-596S20	6'	Gray		52 lbs 24kg	74" 188cm	20" 51cm	3" 8cm
66-209-596S21	6'	Silver Gray		52 lbs 24kg	74" 188cm	20" 51cm	3" 8cm
66-209-596S23	6'	Pebble w/clear tread		52 lbs 24kg	74" 188cm	20" 51cm	3" 8cm
66-209-596S24	6'	Gray Granite w/clear tread		52 lbs 24kg	74" 188cm	20" 51cm	3" 8cm
66-209-598S2	8'	White		70 lbs 32kg	98" 249cm	20" 51cm	3" 8cm
66-209-598S3	8'	Blue		70 lbs 32kg	98" 249cm	20" 51cm	3" 8cm
66-209-598S10	8'	Taupe		70 lbs 32kg	98" 249cm	20" 51cm	3" 8cm
66-209-598S20	8'	Gray		70 lbs 32kg	98" 249cm	20" 51cm	3" 8cm
66-209-598S21	8'	Silver Gray		70 lbs 32kg	98" 249cm	20" 51cm	3" 8cm
66-209-598S23	8'	Pebble w/clear tread		70 lbs 32kg	98" 249cm	20" 51cm	3" 8cm
66-209-598S24	8'	Gray Granite w/clear tread		70 lbs 32kg	98" 249cm	20" 51cm	3" 8cm
66-209-600S2	10'	White		85 lbs 38kg	122" 310cm	20" 51cm	3" 8cm
66-209-600S3	10'	Blue		85 lbs 38kg	122" 310cm	20" 51cm	3" 8cm
66-209-600S10	10'	Taupe		85 lbs 38kg	122" 310cm	20" 51cm	3" 8cm
66-209-600S20	10'	Gray		85 lbs 38kg	122" 310cm	20" 51cm	3" 8cm
66-209-600S21	10'	Silver Gray		85 lbs 38kg	122" 310cm	20" 51cm	3" 8cm



Frontier IV Boards* (2-hole)

Weight Limit = 400 lbs.

Part Number	Board Size	Color	Shipping: (Class 70)	Weight	Length	Width	Height
66-209-4082	8'	White		83 lbs 38kg	98" 249cm	20" 51cm	3" 8cm

*Frontier IV board requires a special stand - see page 18



Glas-Hide Boards (2-hole)

Weight Limit = 250 lbs.

Part Number	Board Size	Color	Shipping: (Class 70)	Weight	Length	Width	Height
66-209-206S2-1	6'	White		57 lbs 26kg	74" 188cm	20" 51cm	3" 8cm
66-209-206S3-1	6'	Blue		57 lbs 26kg	74" 188cm	20" 51cm	3" 8cm
66-209-208S2-1	8'	White		75 lbs 34kg	98" 249cm	20" 51cm	3" 8cm
66-209-208S3-1	8'	Blue		75 lbs 34kg	98" 249cm	20" 51cm	3" 8cm
66-209-210S2-1	10'	White		95 lbs 43kg	122" 310cm	20" 51cm	3" 8cm
66-209-210S3-1	10'	Blue		95 lbs 43kg	122" 310cm	20" 51cm	3" 8cm

Mounting Kits

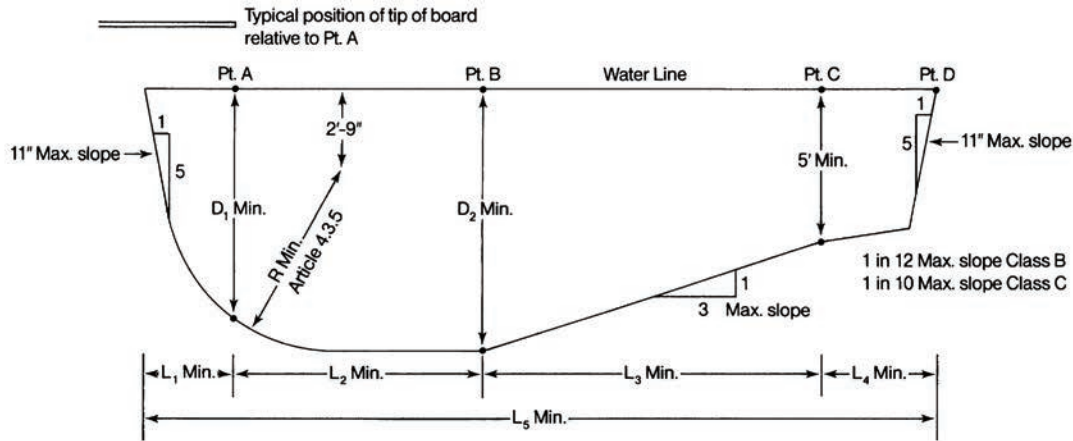
- 67-209-911-SS Residential Board - White
- 67-209-911-SS-PG Residential Board - Gray
- 67-209-911-SS-TP Residential Board - Taupe
- 69-209-032-SS Frontier II Board
- 67-209-913-SS Frontier IV Board
- 67-209-909-SS Bolt Kit, residential with (5) 5.5" bolts
- 67-209-910-SS Bolt Kit, residential with (5) 5" bolts

NOTE: If replacing a board you must replace the fulcrum pad. Failure to do so will void warranty.

* Due to differences in material and textures, Gray Granite Diving Boards and Stands are not an exact color match to Gray Granite Slides. Please consult your S.R.Smith sales representative for more details.

ANSI/APSP/ICC-1 2014 Standard for Public Swimming Pools

Minimum Diving Water Envelope



Notes:

- L_4 is a minimum dimension to allow sufficient length opposite the board
- This may of course be lengthened to form the shallow portion of the pool

Pool Type	Minimum Dimensions								Min. Width of Pool at:		
	D1	D2	R	L1	L2	L3	L4	L5	PT. A	PT. B	PT. C
VI	7'-0"	8'-6"	5'-6"	2'-6"	8'-0"	10'-6"	7'-0"	28'-0"	16'-0"	18'-0"	18'-0"
VII	7'-6"	9'-0"	6'-0"	3'-0"	9'-0"	12'-0"	4'-0"	28'-0"	18'-0"	20'-0"	20'-0"
VIII	8'-6"	10'-0"	7'-0"	4'-0"	10'-0"	15'-0"	2'-0"	31'-0"	20'-0"	22'-0"	22'-0"
IX	11'-0"	12'-0"	8'-6"	6'-0"	10'-6"	21'-0"	0	37'-6"	22'-0"	24'-0"	24'-0"

Notes:

- L_2 , L_3 , and L_4 combined represent the minimum distance from the tip of board to pool wall opposite diving equipment
- For board heights exceeding 3 meters see Article 4.5.2

S.R.Smith Public Pool Specifications

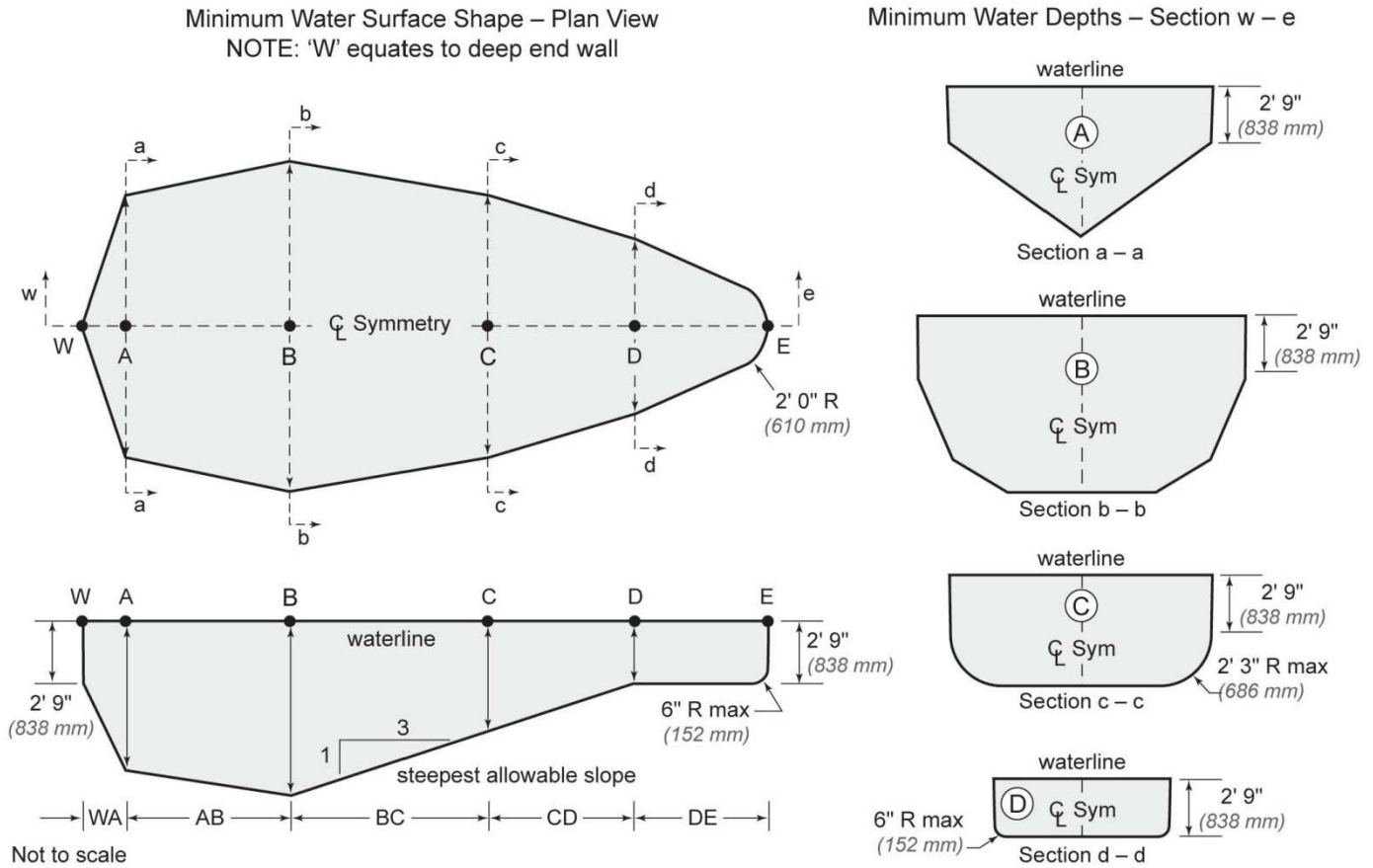
Pool Type	Maximum diving board length	Maximum board height over water (L1)
VI	10'	(2/3 Meter) 26"
VII	12'	(3/4 Meter) 30"
VIII	16'	1 Meter
IX	16'	3 Meter

Note: Placement of boards shall observe the following minimum dimensions. With multiple board installations minimum pool widths must be increased accordingly

Deck Level Board to Pool Side	8'
1 Meter Board to Pool Side	10'
3 Meter Board to Pool Side	11'
1 Meter or Deck Level Board to 3 Meter Board	10'
1 Meter or Deck Level to another 1 Meter or Deck Level Board	8'
3 Meter to another 3 Meter Board	10'

ANSI/APSP/ICC-5 2011 Standard for Residential Inground Swimming Pools

Figure 3 Minimum diving water envelope



Pool Types	Minimum Depths at Point				Minimum Widths at Point				Minimum Lengths between Points					
	A	B	C	D	A	B	C	D	WA	AB	BC	CD	DE	WE
0	Manufactured diving equipment is prohibited													
1	6' 0" (1.82 m)	7' 6" (2.29 m)	5' 0" (1.52 m)	2' 9" (838 mm)	10' 0" (3.05 m)	12' 0" (3.66 m)	10' 0" (3.05 m)	8' 0" (2.44 m)	1' 6" (457 mm)	7' 0" (2.13 m)	7' 6" (2.29 m)	Varies	6' 0" (1.82 m)	28' 9" (8.76 m)
2	6' 0" (1.82 m)	7' 6" (2.29 m)	5' 0" (1.52 m)	2' 9" (838 mm)	12' 0" (3.66 m)	15' 0" (4.57 m)	12' 0" (3.66 m)	8' 0" (2.44 m)	1' 6" (457 mm)	7' 0" (2.13 m)	7' 6" (2.29 m)	Varies	6' 0" (1.82 m)	28' 9" (8.76 m)
3	6' 10" (2.08 m)	8' 0" (2.44 m)	5' 0" (1.52 m)	2' 9" (838 mm)	12' 0" (3.66 m)	15' 0" (4.57 m)	12' 0" (3.66 m)	8' 0" (2.44 m)	2' 0" (610 mm)	7' 6" (2.29 m)	9' 0" (2.74 m)	Varies	6' 0" (1.82 m)	31' 3" (9.53 m)
4	7' 8" (2.34 m)	8' 6" (2.59 m)	5' 0" (1.52 m)	2' 9" (838 mm)	15' 0" (4.57 m)	18' 0" (5.49 m)	15' 0" (4.57 m)	9' 0" (2.74 m)	2' 6" (762 mm)	8' 0" (2.44 m)	10' 6" (3.20 m)	Varies	6' 0" (1.82 m)	33' 9" (10.3 m)
5	8' 6" (2.59 m)	9' 0" (2.74 m)	5' 0" (1.52 m)	2' 9" (838 mm)	15' 0" (4.57 m)	18' 0" (5.49 m)	15' 0" (4.57 m)	9' 0" (2.74 m)	3' 0" (914 mm)	9' 0" (2.74 m)	12' 0" (3.66 m)	Varies	6' 0" (1.82 m)	36' 9" (11.2 m)

NOTES

1. Minimum length between points CD may vary based upon water depth at point D and the slope between points C and D.
2. Drawings are not to scale.
3. Negative construction tolerances (see para. 5.1.1) shall not be applied to any of the dimensions shown in the Minimum Water Envelopes given in Table 1.
4. Pool types designate minimum water envelope sizes as specified by the diving board manufacturers.

POOL TYPE		BOARD LENGTH					
		Pool Type 0	Pool Type I	Pool Type II	Pool Type III	Pool Type IV	Pool Type V
STAND MODEL	606/608 Cantilever (steel)	DIVING EQUIPMENT IS PROHIBITED	6'	6'	6', 8'	6', 8'	6', 8'
	Edge		6'	6'	6', 8'	6', 8'	6', 8'
	656/658 Supreme (fiberglass)		6'	6'	6', 8'	6', 8'	6', 8'
	Salt Pool Jump Stand		6'	6'	6', 8'	6', 8'	6', 8'
	Frontier II		6'	6'	6', 8'	6', 8'	6', 8'
	T-7		6'	6', 8'	6', 8', 10'	6', 8', 10'	6', 8', 10', 12'
	U-Frame		7'	7'	7'	7'	7'

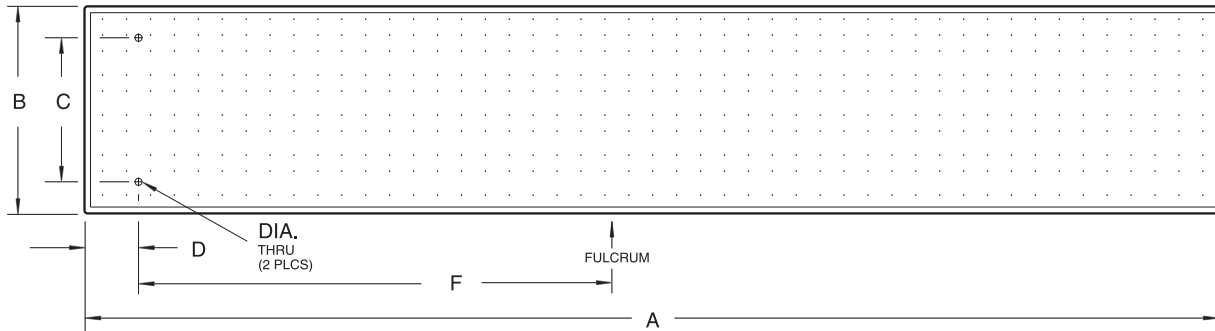
S.R.SMITH RESIDENTIAL POOL MINIMUM SPECIFICATIONS

POOL TYPE	MAX. DIVING BOARD LENGTH	MAX. HEIGHT OVER WATER AT POINT A	CROSS SECTIONAL DIMENSIONS AT POINT A		CROSS SECTIONAL DIMENSIONS AT POINT B						MIN. HEAD ROOM ABOVE DIVING SURFACES
	DIVING BOARD LENGTH		HOW**	F	G	H	J	K	L	M	
0	DIVING EQUIPMENT PROHIBITED										
I	6' DB / 6' JB / 7' T7	20"	2'-9"	5'-0"	4'-0"	7'-2.5"	7'-6"	6'-0"	3'-9"	2'-1.5"	12'
II	8' DB / 6' JB / 7' T7	20"	2'-9"	3'-10"	4'-2"	7'-2.5"	7'-6"	6'-8"	3'-9"	2'-1.5"	12'
III	10' DB / 8' JB / 7' T7	26"	2'-9"	4'-4.75"	4'-4.5"	7'-5.5"	8'-0"	6'-7"	3'-11.5"	1'-7.5"	13'
IV	10' DB / 8' JB / 7' T7	30"	2'-9"	5'-10.5"	3'-10"	7'-8"	8'-6"	8'-3"	5'-7"	2'-7"	13'
V	12' DB / 8' JB / 7' T7	40"	2'-9"	6'-2"	3'-11.5"	7'-9.5"	9'-0"	8'-2.5"	5'-9"	2'-7"	14'

*Min. length between points CD may vary based upon water depth at point D and the slope between points C & D
 ABBREVIATIONS: DB=Diving Board; JB=Jump Board; **HOW=Height Over Water

Board Identification Guide

TWO-HOLE DIVING BOARD DIMENSIONS



CURRENT RESIDENTIAL DIVING BOARDS

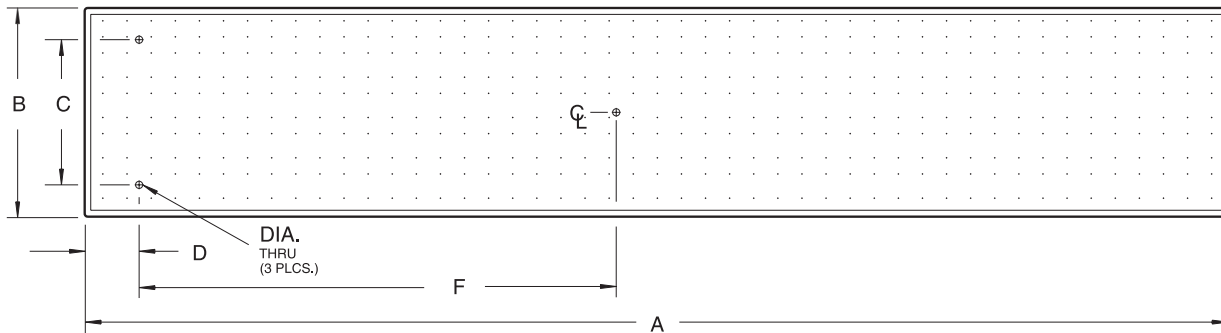
MODEL	A	B	C	D	F	DIA
6' Frontier III (10" Centers)	70.50"	17.25"	10.00"	4.00"	30.00"	19/32"
6' Fibre-Dive & Glas-Hide	70.50"	17.25"	12.00"	4.00"	30.00"	19/32"
8' Fibre-Dive & Glas-Hide	94.50"	17.25"	12.00"	4.00"	40.00"	19/32"
10' Fibre-Dive & Glas-Hide	118.50"	17.25"	12.00"	4.00"	52.00"	19/32"
6' Frontier III	70.50"	17.25"	12.00"	4.00"	30.00"	19/32"
8' Frontier III	94.50"	17.25"	12.00"	4.00"	40.00"	19/32"
10' Frontier III	118.50"	17.25"	12.00"	4.00"	52.00"	19/32"
FRONTIER III	12'	17.25"	12.00"	4.00"	62.00"	19/32"
8' Frontier IV	94.50"	17.25"	11.00"	4.00"	40.00"	19/32"
T7	83.75"	18.75"	8.75"	7.9"	42.35"	19/32"
6' Edge	70.25"	17.25"	6.31"	4.00"	42.50"	.625"
8' Edge	94.00"	17.25"	6.31"	9.00"	42.50"	.625"

OBSOLETE DIVING BOARDS

MODEL	A	B	C	D	F	DIA
AB-6F	6'	16.00"	10.00"	3.00"	N/A	N/A
AB-8	8'	18.00"	12.00"	4.00"	N/A	N/A
AB-10	10'	18.00"	12.00"	4.00"	N/A	N/A
DB6 Duro-Beam	70.25"	17.25"	12.00"	4.00"	30.00"	19/32"
DB8 Duro-Beam	94.00"	17.25"	12.00"	4.00"	40.00"	19/32"
DB10 Duro-Beam	117.50"	17.25"	12.00"	4.00"	52.00"	19/32"
TB6 Techni-Beam	70.25"	17.25"	12.00"	4.00"	30.00"	19/32"
TB8 Techni-Beam	94.00"	17.25"	12.00"	4.00"	42.00"	19/32"
TB10 Techni-Beam	117.50"	17.25"	12.00"	4.00"	50.00"	19/32"
TB12 Techni-Beam	142.00"	17.25"	12.00"	4.00"	62.00"	19/32"
OLY6	70.25"	17.25"	12.00"	4.00"	30.00"	19/32"
OLY8	94.00"	17.25"	12.00"	4.00"	42.00"	19/32"
OLY10	117.50"	17.25"	12.00"	4.00"	50.00"	19/32"

Board Identification Guide

THREE-HOLE JUMP BOARD DIMENSIONS



CURRENT RESIDENTIAL JUMP BOARDS

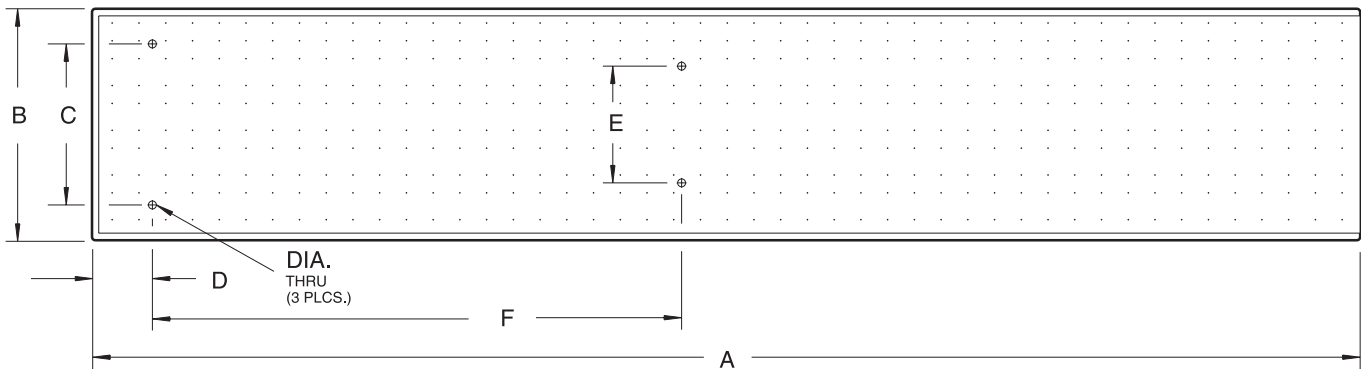
MODEL	A	B	C	D	F	DIA
6' ANTHONY	70.25"	17.25"	12.00"	3.25"	20.50"	19/32"
6' FRONTIER II	70.50"	17.25"	4.50"	8.00"	30.00"	19/32"
8' FRONTIER II	94.50"	17.25"	4.50"	14.00"	36.00"	19/32"
8' ANTHONY	94.50"	17.25"	12.00"	3.25"	30.50"	19/32"

OBSOLETE JUMP BOARDS

MODEL	A	B	C	D	F	DIA
6' Frontier	70.50"	17.25"	12.00"	12.00"	18.00"	19/32"
8' Frontier	94.50"	17.25"	12.00"	12.00"	30.00"	19/32"
ASB-40-3-1	4.50'	16.00"	4.50"	3.50"	27.00"	N/A
ASB-60-3-1	6'	16.00"	4.50"	8.00"	30.00"	N/A
ASB-80-3-1	8'	18.00"	4.50"	14.50"	36.00"	N/A
ACB-4	4'	16.00"	4.50"	4.50"	16.00"	N/A
ACB-6	6'	16.00"	4.50"	8.00"	30.00"	N/A
ACB-8	8'	18.00"	4.50"	14.50"	36.00"	N/A
ACB-50M-4	4'	16.00"	10.00"	3.00"	16.00"	N/A
ACB-50M-6	6'	16.00"	10.00"	4.00"	30.00"	N/A
ACB-50M-8	8'	18.00"	10.00"	4.00"	36.00"	N/A
KKJ-40/50M-4	4'	16.00"	12.00"	4.00"	16.00"	N/A
KKJ-40/50M-6	6'	16.00"	12.00"	12.00"	15.00"	N/A
KKJ-50M-8	8'	18.00"	12.00"	12.00"	29.50"	N/A
6' Marine	6'	16.00"	12.00"	12.00"	15.00"	N/A
8' Marine	8'	18.00"	12.00"	12.00"	29.50"	N/A
6' Continental Single Spring	6'	16.00"	12.00"	12.00"	15.00"	N/A
8' Continental Single Spring	8'	18.00"	12.00"	12.00"	29.50"	N/A
6' DBS Single Spring	6'	16.00"	12.00"	12.00"	15.00"	N/A
8' DBS Single Spring	8'	18.00"	12.00"	12.00"	29.50"	N/A
6' Anthony Single Spring	6'	16.00"	12.00"	6.00"	20.50"	N/A
8' Anthony Single Spring	8'	18.00"	12.00"	6.00"	30.50"	N/A
DS6 Duro-Spring	70.25"	17.25"	4.50"	8.00"	30.00"	N/A
DS8 Duro-Spring	94.00"	17.25"	4.50"	8.00"	36.00"	N/A

Board Identification Guide

FOUR-HOLE JUMP BOARD DIMENSIONS



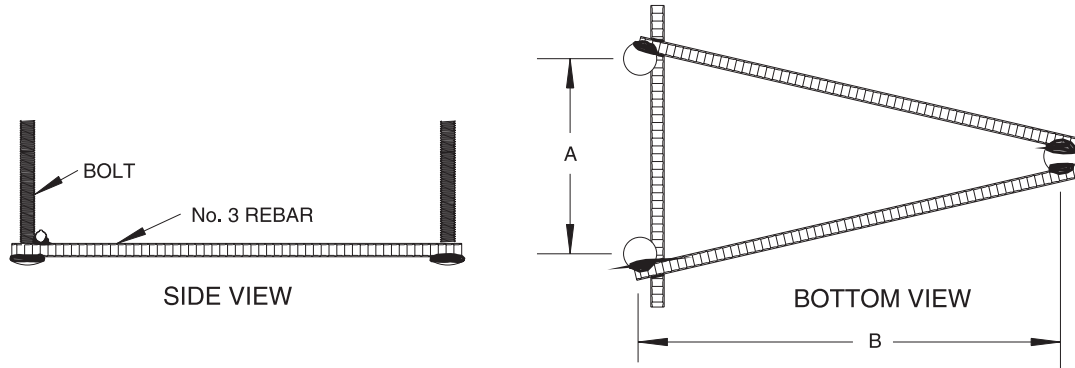
OBSOLETE JUMP BOARDS

MODEL	A	B	C	D	F	DIA	
4' BAJA	46.50"	17.25"	12.00"	12.00"	7.00"	7.00"	7/16"
6' BAJA	70.50"	17.25"	12.00"	12.00"	7.00"	15.00"	7/16"
8' BAJA	94.50"	17.25"	12.00"	12.00"	7.00"	26.00"	7/16"
6' SPACE MAKER	70.50"	17.25"	12.00"	12.00"	12.00"	30.50"	19/32"
8' SPACE MAKER	94.50"	17.25"	12.00"	20.00"	12.00"	30.50"	19/32"
GAZELLE	94.50"	17.25"	12.00"	10.00"	12.00"	20.00"	19/32"
ASB-40-3	4'	16.00"	4.50"	3.50"	4.50"	27.00"	N/A
ASB-60-3	6'	16.00"	4.50"	8.00"	4.50"	30.00"	N/A
ASB-80-3-1	8'	18.00"	4.50"	12.00"	4.50"	36.00"	N/A
6' DBS DOUBLE SPRING	6'	16.00"	12.00"	6.00"	10.50"	24.00"	N/A
8' DBS DOUBLE SPRING	8'	18.00"	12.00"	6.00"	10.50"	36.00"	N/A
6' SWIMLINE DOUBLE SPRING	6'	16.00"	12.00"	6.00"	10.50"	24.00"	N/A
8' SWIMLINE DOUBLE SPRING	8'	18.00"	12.00"	6.00"	10.50"	36.00"	N/A
6' OLD STYLE DOUBLE SPRING	6'	18.00"	12.00"	8.00"	12.00"	30.00"	N/A
8' OLD STYLE DOUBLE SPRING	8'	18.00"	12.00"	12.00"	12.00"	36.00"	N/A
BA6 BAJA	70.25"	17.25"	12.00"	12.00"	6.625"	15.00"	19/32"
BA8 BAJA	94.00"	17.25"	12.00"	12.00"	6.625"	26.00"	19/32"

The WARRANTY applies ONLY if the stands have the proper fulcrum length, the board rests evenly on the fulcrum pads and the board does not come in contact with ANY metal of the stands.

Jig Identification Guide

THREE-BOLT JIGS



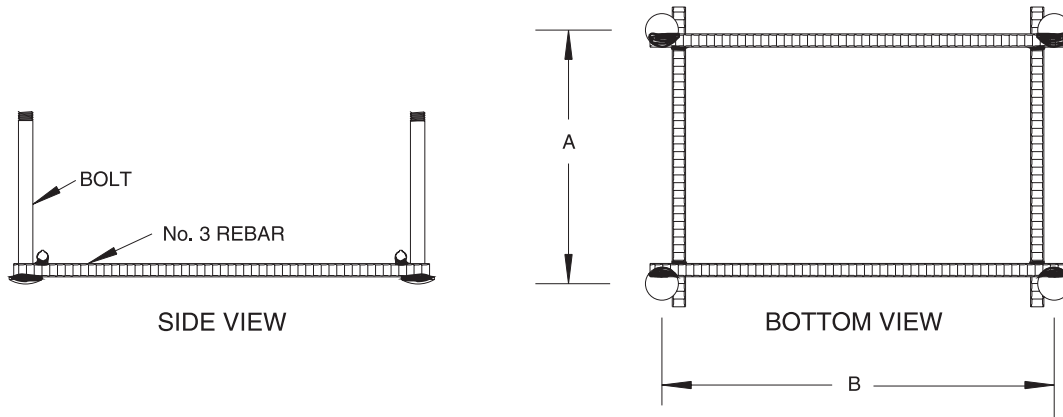
JIG TYPE	PART NO.	A	B	BOLT
6' FLYTE-DECK II	71-209-700-SS	6.50"	14.00"	1/2" X 6" CARRIAGE
8' FLYTE-DECK II	71-209-704-SS	6.50"	24.00"	1/2" X 6" CARRIAGE
10' FLYTE-DECK II	71-209-703-SS	6.50"	31.00"	1/2" X 6" CARRIAGE
6' & 8' FRONTIER II SPRING	69-209-227-AA	3.25"	6.00"	5/8" X 6" CARRIAGE

OBSOLETE JUMP BOARDS

JIG TYPE	PART NO.	A	B	BOLT
4' COBRA COIL	67-521-10-SS	18.00"	16.00"	1/2" X 6" CARRIAGE
6' COBRA COIL	67-521-10-SS	18.00"	30.00"	1/2" X 6" CARRIAGE
8' COBRA COIL	67-521-10-SS	18.00"	36.00"	1/2" X 6" CARRIAGE
4' AQUA COIL	02-946-11-SS	4.50"	16.00"	1/2" X 6" CARRIAGE
8' FLYTE-DECK	71-209-702-SS	6.50"	22.00"	1/2" X 6" CARRIAGE
6' LAMESA/LOS ARCOS	LM-J6	6.50"	14.00"	1/2" X 5" CARRIAGE
8' LAMESA/LOS ARCOS	LM-J9	6.50"	22.00"	1/2" X 5" CARRIAGE
10' LAMESA/LOS ARCOS	LM-J10	6.50"	29.50"	1/2" X 5" CARRIAGE
6' & 8' DURO-SPRING	DS-J	3.25"	6.00"	5/8" X 6" CARRIAGE

Jig Identification Guide

FOUR-BOLT JIGS



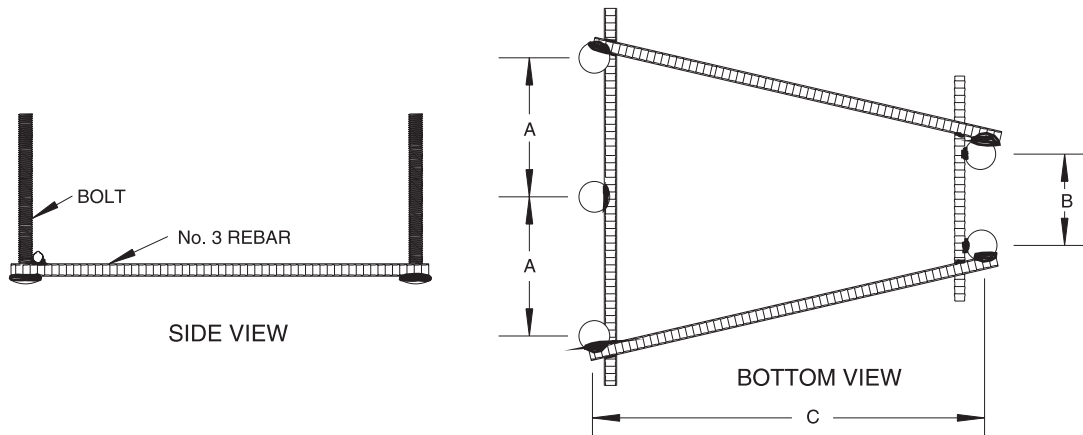
JIG TYPE	PART NO.	A	B	BOLT
656/658 SUPREME	62-209-007-SS	14.00"	14.00"	1/2" X 7" CARRIAGE
606/608 CANTILEVER/SALT POOL STAND	69-209-006-SS	12.00"	12.00"	1/2" X 6" CARRIAGE

OBSOLETE JUMP BOARDS

JIG TYPE	PART NO.	A	B	BOLT
6' & 8' FRONTIER II STEEL PEDESTAL	69-209-229-SS	6.00"	12.00"	1/2" X 6" CARRIAGE
6' FRONTIER II FIBERGLASS	69-209-224-SS	5.00"	6.00"	1/2" X 7" CARRIAGE
8' FRONTIER II FIBERGLASS	69-209-225-SS	5.00"	12.00"	1/2" X 7" CARRIAGE
10' FRONTIER II FIBERGLASS	69-209-226-SS	6.00"	26.50"	1/2" X 7" CARRIAGE
AJ-6 & AJ-8 CPB OR DPB	67-971-10-SS	8.00"	12.00"	1/2" X 6" CARRIAGE
6' & 8' TECHNI-SPRING STEEL	TS-EDGE-J	12.00"	12.00"	1/2" X 6" CARRIAGE
6' & 8' TECHNI-SPRING FIBERGLASS	TSF-J	14.00"	14.00"	1/2" X 8 CARRIAGE

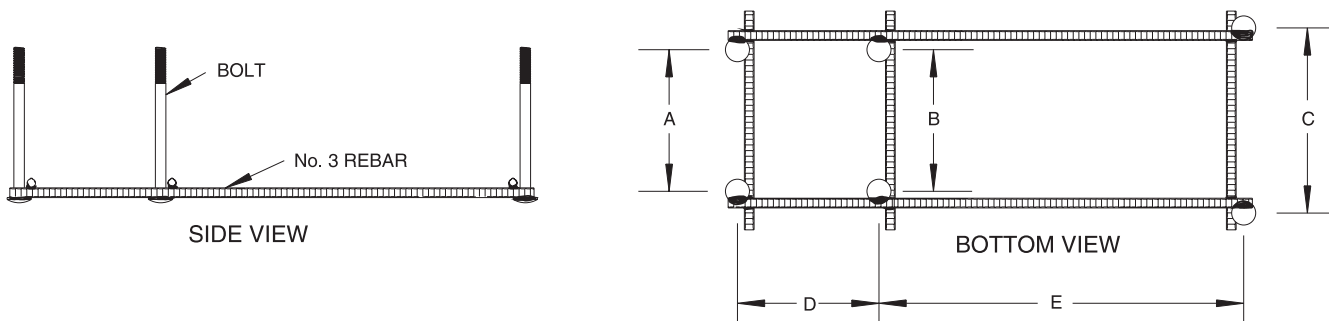
Jig Identification Guide

FIVE-BOLT JIGS



JIG TYPE	PART NO.	A	B	C	BOLT
6' CHEVRON	71-209-726-SS	4.00"	5.00"	14.00"	1/2" X 6" CARRIAGE
8' CHEVRON	71-209-728-SS	4.00"	5.00"	22.00"	1/2" X 6" CARRIAGE
10' CHEVRON	71-209-730-SS	4.00"	5.00"	27.00"	1/2" X 6" CARRIAGE

SIX-BOLT JIGS



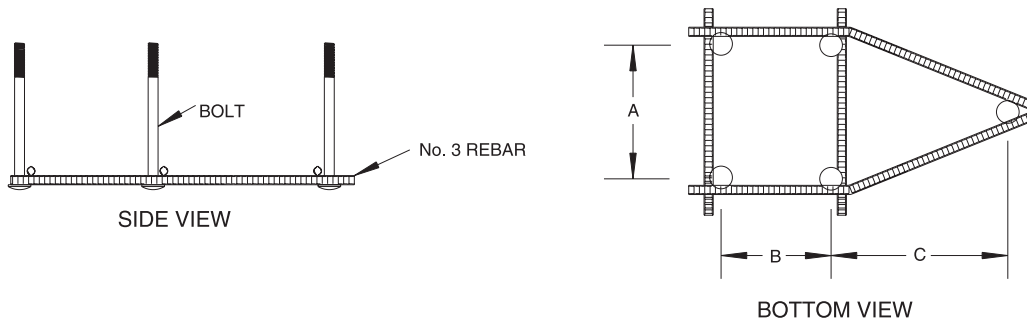
JIG TYPE	PART NO.	A	B	C	D	E	BOLT
STEEL METER	71-209-541-SS	4.00"	6.50"	10.00"	3.00"	17.00"	1/2" X 6" CARRIAGE

OBSOLETE JUMP BOARDS

JIG TYPE	PART NO.	A	B	C	D	E	BOLT
4' BAJA	69-209-698-SS	6.50"	6.50"	8.50"	6.50"	9.00"	1/2" X 6" CARRIAGE
6' BAJA	69-209-699-SS	6.50"	6.50"	8.50"	6.50"	16.75"	1/2" X 6" CARRIAGE
8' BAJA	69-209-700-SS	6.50"	6.50"	8.50"	6.50"	27.75"	1/2" X 6" CARRIAGE
6' FRONTIER	69-209-676-SS	6.50"	6.50"	6.50"	6.50"	17.50"	1/2" X 6" CARRIAGE
6' PIONEER	N/A	6.50"	8.00"	6.50"	5.50"	15.50"	1/2" X 5-1/2" CARRIAGE
8' FRONTIER	69-209-678-SS	6.50"	6.50"	6.50"	6.50"	29.50"	1/2" X 6" CARRIAGE
8' PIONEER	N/A	6.50"	8.00"	6.50"	5.50"	29.50"	1/2" X 5-1/2" CARRIAGE
INTER-FAB 6' BAJA	BA-J6	6.50"	N/A	8.50"	6.50"	16.75"	1/2" X 6" CARRIAGE
INTER-FAB 8' BAJA	BA-J8	6.50"	N/A	8.50"	6.50"	27.25"	1/2" X 6" CARRIAGE

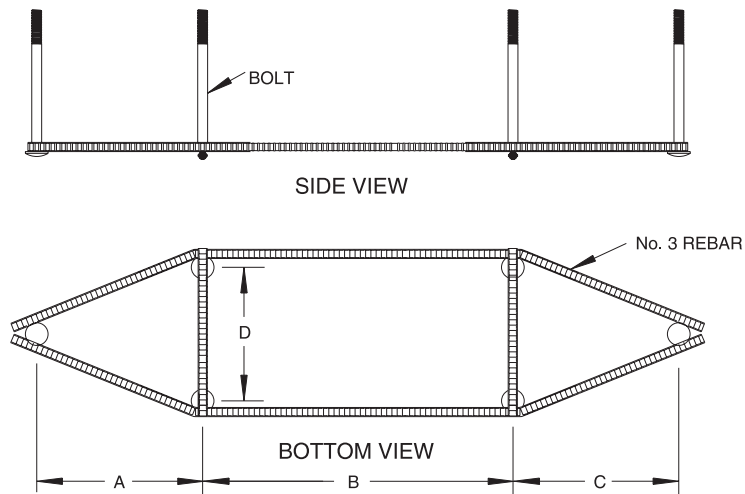
Jig Identification Guide

FIVE-BOLT JIGS



JIG TYPE	PART NO.	A	B	C	BOLT
KKJ-40M-4	67-550-11-SS	6.50"	6.50"	7.50"	1/2" X 6" CARRIAGE

SIX-BOLT JIGS



JIG TYPE	PART NO.	A	B	C	D	BOLT
ADFC-50M-8F	02-970-11-SS	4.00"	15.50"	4.00"	4.25"	1/2" X 6" CARRIAGE
ADFC-50-M-10F	02-970-11-SS	4.00"	15.50"	4.00"	4.25"	1/2" X 6" CARRIAGE
ADFC-66M-1012F	02-970-11-SS	4.00"	15.50"	4.00"	4.25"	1/2" X 6" CARRIAGE
ADC-50M-8	02-971-10-SS	4.00"	15.50"	4.00"	4.25"	1/2" X 6" CARRIAGE
ADC-50M-810	02-971-10-SS	4.00"	15.50"	4.00"	4.25"	1/2" X 6" CARRIAGE
ADC-75M-1012	02-971-10-SS	4.00"	15.50"	4.00"	4.25"	1/2" X 6" CARRIAGE
ADC-100M-1012	02-971-10-SS	4.00"	15.50"	4.00"	4.25"	1/2" X 6" CARRIAGE

Sand Tread Repair Kit

- For repairing minor damage to diving board tread
- Includes sandpaper, masking tape and gel coat

Part No.	Description	Shipping Weight
67-209-9242	White	.75 lb
67-209-9243	Marine Blue	.75 lb



Epoxy Kits

- Use to install a diving board on an existing deck
- Includes epoxy resin, hardener and mounting bolts
- Recommended for diving board stands including Edge and T7

Part No.	Description	Stand	Shipping Weight
75-209-5868-SS	Kit with (4) 6"x1/2" bolts	Cantilever	4 lbs
75-209-5869-SS	Kit with (3) 6"x5/8" bolts	Frontier II	4 lbs
75-209-5874-SS	Kit with (5) 6"x1/2" bolts	1/2M, 3/4M, 1M, Steel Stand	6 lbs
75-209-5875-SS	Kit with (6) 6"x1/2" bolts	Steel Meter	6 lbs
75-209-5876-SS	Kit with (3) 6"x1/2" bolts	Flyte Deck II	4 lbs
75-209-5885-SS	Kit with (4) 7"x1/2" bolts	Supreme	4 lbs
75-209-5879-SS	Kit with (4) 9"x1/2" bolts	Paver Kit	4 lbs
75-209-5880-SS	Kit with (4) 10"x1/2" bolts	Paver Kit	7 lbs
75-209-5889-SS	Kit with (3) 9"x1/2" bolts	Paver Kit	8 lbs
75-209-5890-SS	Kit with (3) 10"x1/2" bolts	Paver Kit	8 lbs
09-506	Epoxy only		

Shipping Information

L	W	H
8	8	6

Note: shipped UPS Hazardous

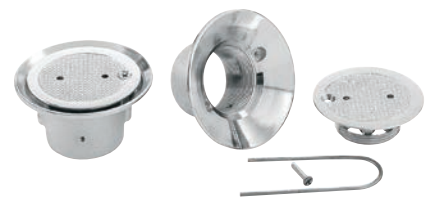


Circulation System Parts

1.5" Circular Flow Inlet Fittings

- Chrome plated cast brass
- Allows easy adjustment of flow rate and ensures smooth, even flow through return
- Includes lock screw and adjustment wrench

Part No.	Description	Shipping Weight
A41014-0	1 outer body (2406600), control plate (A41497-0), and lock screw	1.5 lbs



Radiant Flow Inlet Fittings

- Chrome plated cast brass
- Features tamper-resistant adjustment screws
- Includes outer body, inner and outer control plates and three lock screws

Part No.	Description	Shipping Weight
A41020-0	1 outer body (2402490), inner control plate, outer control plate, 3 lock screws	2.4 lbs
A41473-0	1 inner plate, outer plate, 3 lock screws	1 lb

