



Side Winder Slide Specifications

Product Numbers and Shipping Weights:

Model Number	Description	Shipping Weights
GPPSSW-GREY-R	Side Winder – Grey Granite Right	530 lbs (240.4 kg)
GPPSSW-SAND-R	Side Winder – Sandstone Granite Right	530 lbs (240.4 kg)
GPPSSW-GREY-L	Side Winder – Grey Granite Left	530 lbs (240.4 kg)
GPPSSW-SAND-L	Side Winder – Sandstone Granite Left	530 lbs (240.4 kg)
GPPSSW-GREY-R-LED	Side Winder – Grey Granite Right w/ Light Pkg	540 lbs (244.9 kg)
GPPSSW-SAND-R-LED	Side Winder – Sandstone Granite Right w/ Light Pkg	540 lbs (244.9 kg)
GPPSSW-GREY-L-LED	Side Winder – Grey Granite Left w/ Light Pkg	540 lbs (244.9 kg)
GPPSSW-SAND-L-LED	Side Winder – Sandstone Granite Left w/ Light Pkg	540 lbs (244.9 kg)

Broad Description:

The Side Winder Slide is a sturdy, durable roto-molded slide with enclosed plumbing for a clean finished look. The Side Winder is available in Sandstone or Grey Granite finishes and has the option of an LED lighting package.

Utilization:

The Side Winder is intended for in-ground residential swimming pools only. Our multi-point anchoring system allows the Side Winder to accommodate most geographical regions. The slide is rated for a maximum of 275 lb. (124 kg) for its riders.

Specifications:

- § The ladder is enclosed with nine (9) coping style steps for a safe and easy climbing.
- § The two (2) handrails are roto-molded into the ladder with two (2) optional widths for a comfortable climb for most riders.
- § The slide runway has a twenty-three (23) inch wide seating area made of a thick, durable roto-molded plastic.
- § The water delivery system is enclosed within the roto-molded ladder for a clean look. Water is delivered with a 1” PVC hose to allow maximum water coverage on the flume at 25 gpm.
- § The Side Winder is anchored to the pool deck with ½” diameter stainless anchor studs with attaching hardware.

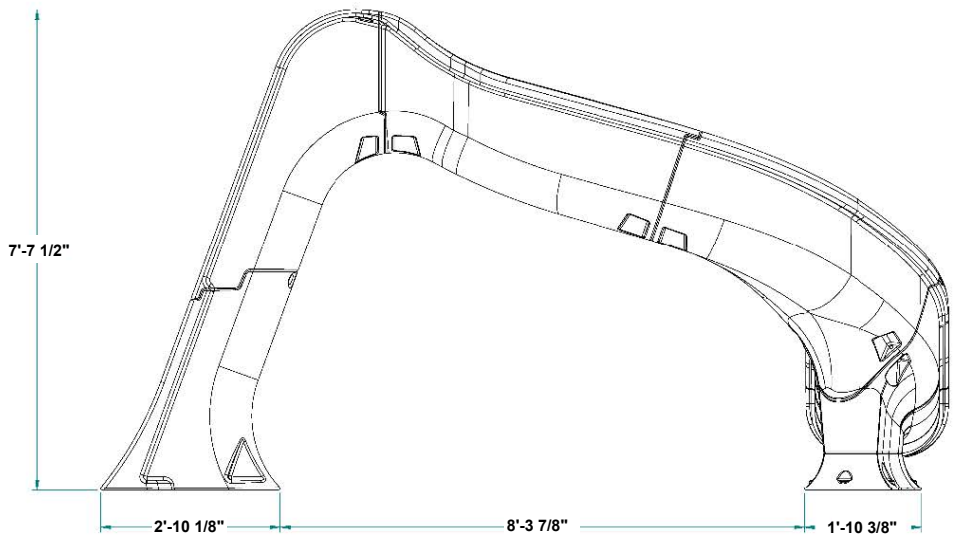
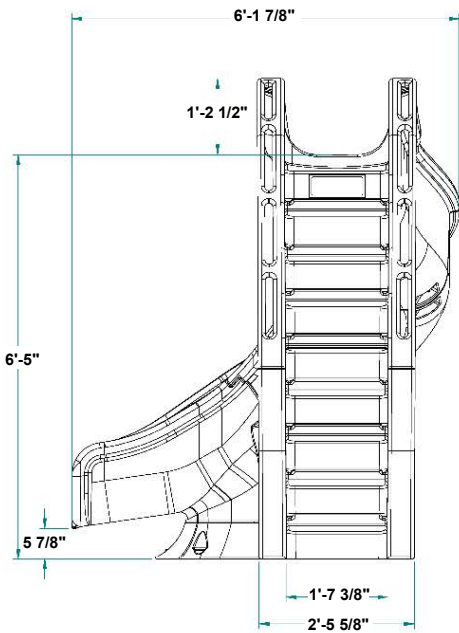
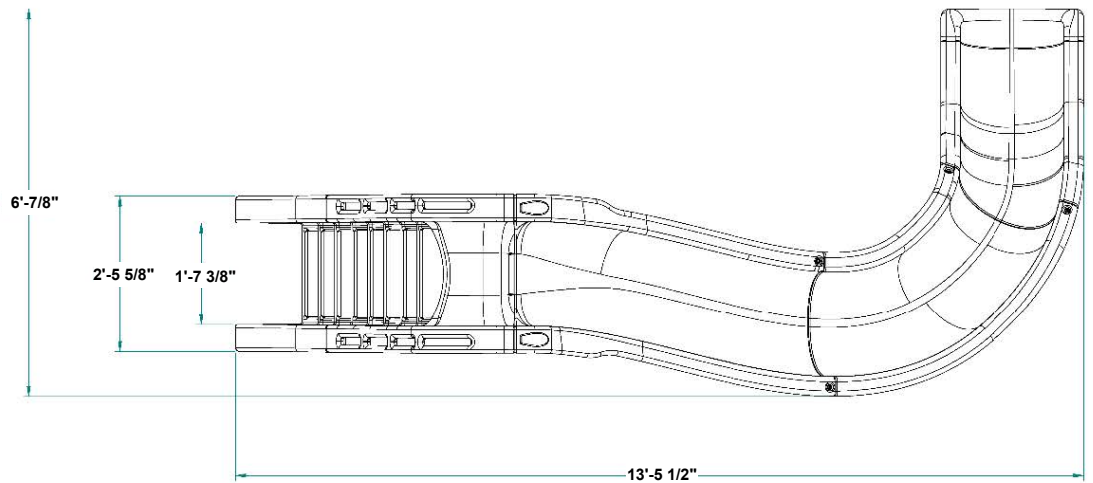
Global Pool Products
 1330 Pigeon Rd
 Bad Axe, MI 48413
 P: 989-269-5900 TF: 866-712-0606
 Fax: 989-269-5902

The information contained in this document is proprietary and confidential to
 Global Pool Products and not to be reproduced without
 written consent from Global Pool Products

www.global-poolproducts.com

Side Winder Slide Specifications

Height: 7' 8"
 Flume Length: 14' 1"
 Flume Width: 23"
 Required Deck Space: 13' 6" x 6' 0"

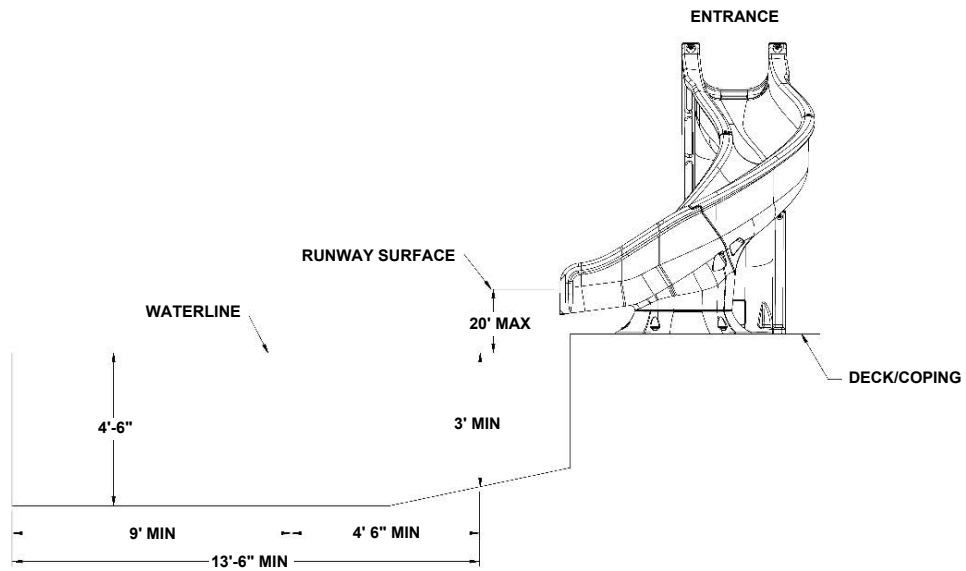
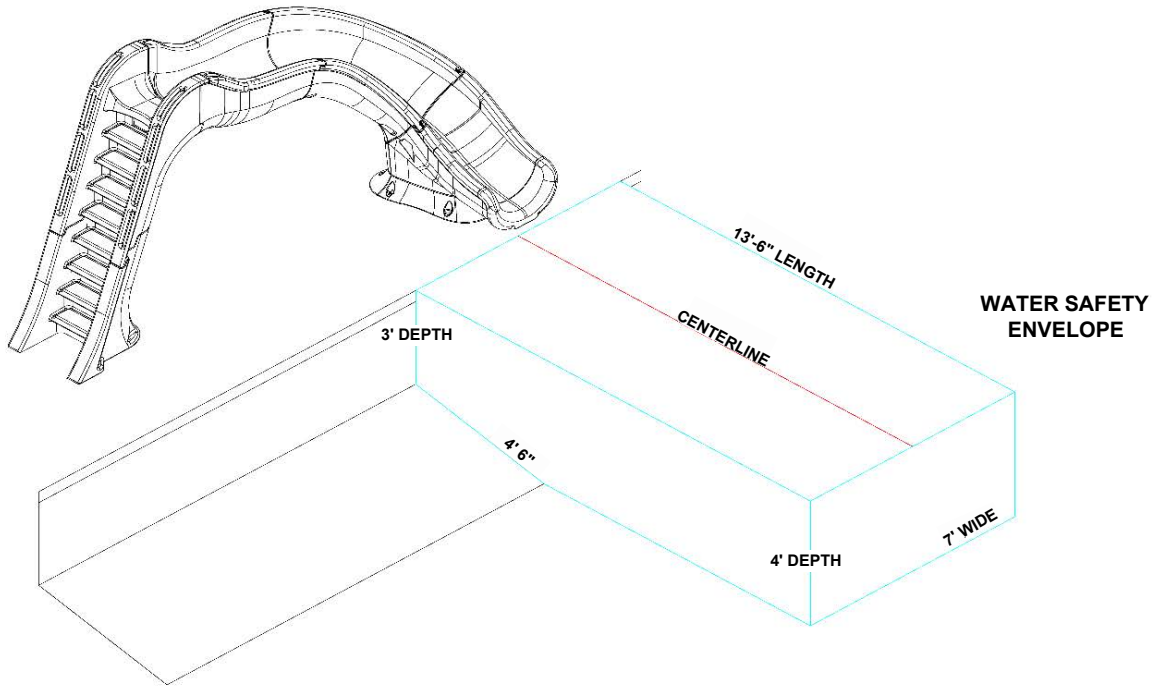


Global Pool Products
 1330 Pigeon Rd
 Bad Axe, MI 48413
 P: 989-269-5900 TF: 866-712-0606
 Fax: 989-269-5902

The information contained in this document is proprietary and confidential to Global Pool Products and not to be reproduced without written consent from Global Pool Products

www.global-poolproducts.com

Side Winder Water Safety Envelope



Global Pool Products
 1330 Pigeon Rd
 Bad Axe, MI 48413
 P: 989-269-5900 TF: 866-712-0606
 Fax: 989-269-5902

The information contained in this document is proprietary and confidential to Global Pool Products and not to be reproduced without written consent from Global Pool Products

www.global-poolproducts.com